

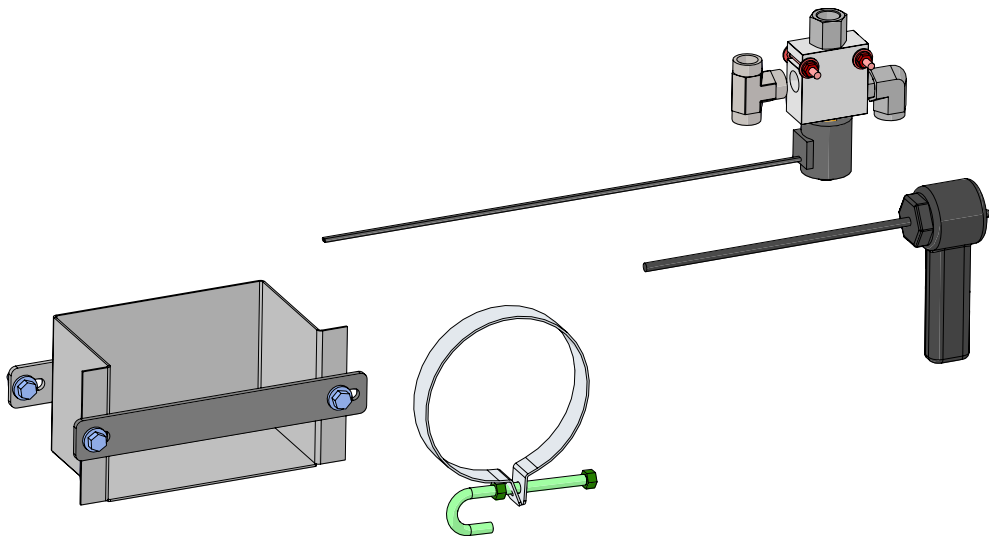


Manual

Electric Solenoid Switch Kit

GRAVITY WAGON

JM0081846



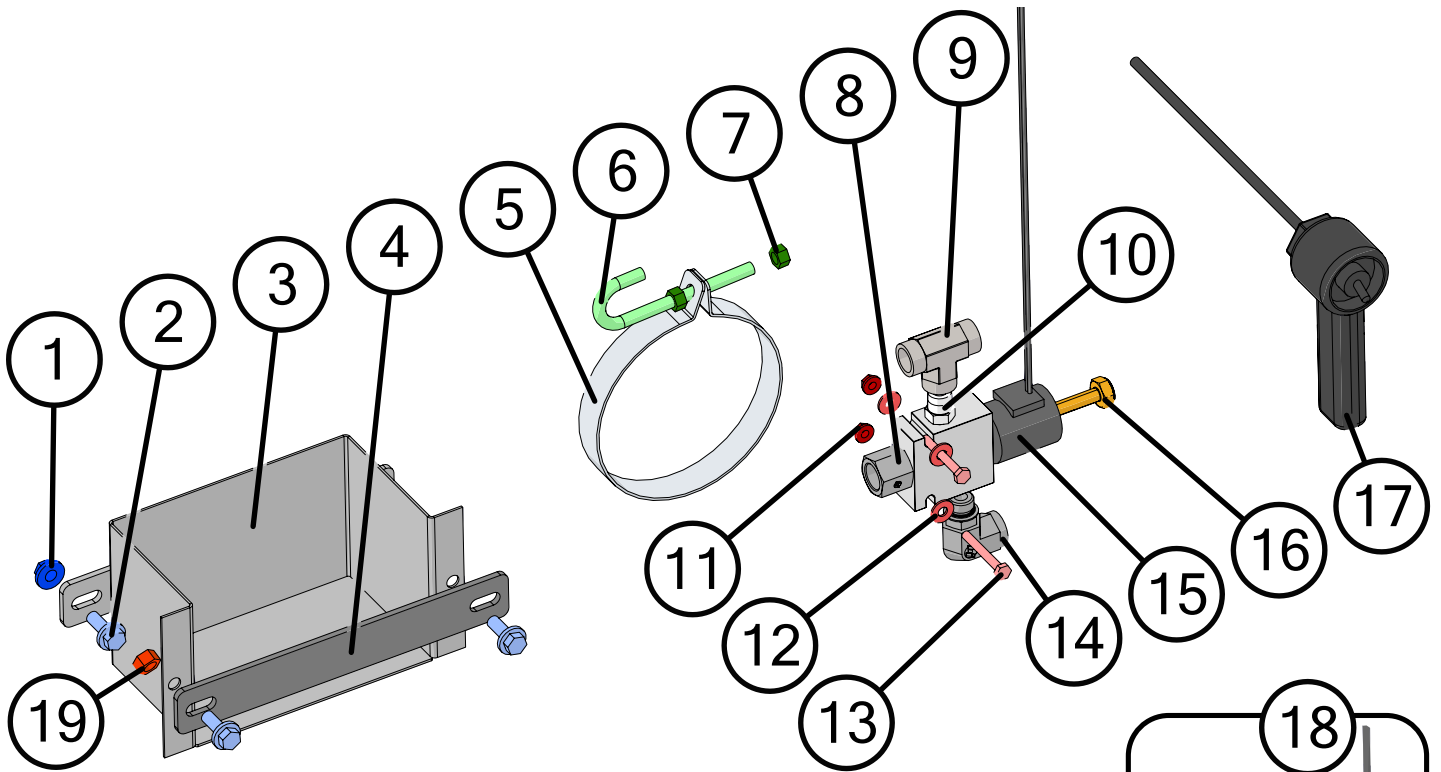
Rev. 3.27.2024

J&M Manufacturing Co, Inc

284 Railroad Street - P.O. Box 547 | Fort Recovery, OH 45846 | Ph: (419) 375-2376 | Fax: (419) 375-2708

www.jm-inc.com

Electric Solenoid Switch Kit

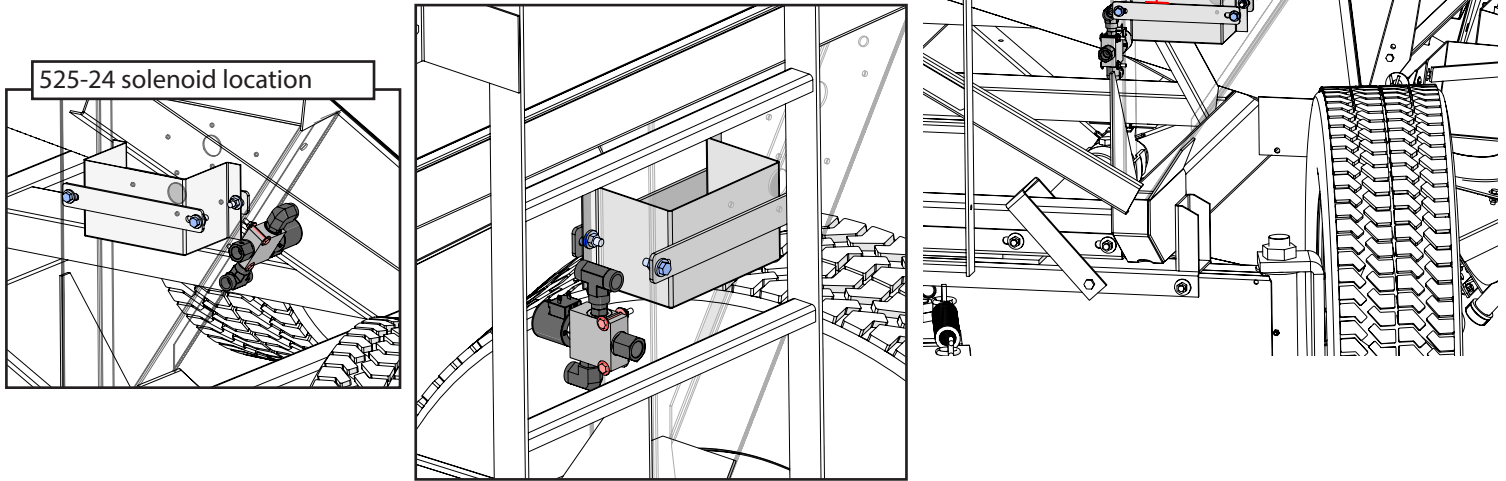


	Description	Part No.	Qty.
1	3/8"-16 Gr5 Z SF Hex Nut	JM0002152	2
2	3/8"-16 x 1" Gr5 Z SF Hex Bolt	JM0002092	4
3	Battery Box with Strap (BB-2)	JM0000365	1
4	Battery Box Strap	JM0000364	1
5	Auger Band (Applicator)	JM0016185	1
6	3/8"-16 x 2-3/8" Thread Length x 5" Overall Length Gr5 Z J-Bolt	JM0001519	1
7	3/8"-16 Gr5 Z Hex Nut	JM0001707	2
8	#N/A!	JM0081850	1
9	#N/A!	JM0028356	-
10	1/2" Male NPT x 1/2" Male O-Ring Hex Nipple	JM0048977	-
11	1/4"-20 Gr5 Z SF Hex Nut	JM0001630	2
12	1/4" ID, 3/4" OD Z Flat Washer	JM0003090	4
13	1/4"-20 x 2" Gr5 Z Hex Bolt	JM0001591	2
14	#N/A!	JM0081848	-
15	Replacement Sleeve (6352012) (Solenoid)(Open/Close) (SL-1)	JM0033735	-
16	#N/A!	JM0081841	-
17	Cable with Hand Switch (ECHS-1)	JM0028357	1
18	#N/A!	JM0081849	1
19	3/8"-16 Gr2 Z Centerlock Hex Nut	JM0001512	2
	Plastic Ties 20"	N/A	4
	Plastic Ties 9"	N/A	4

Installation

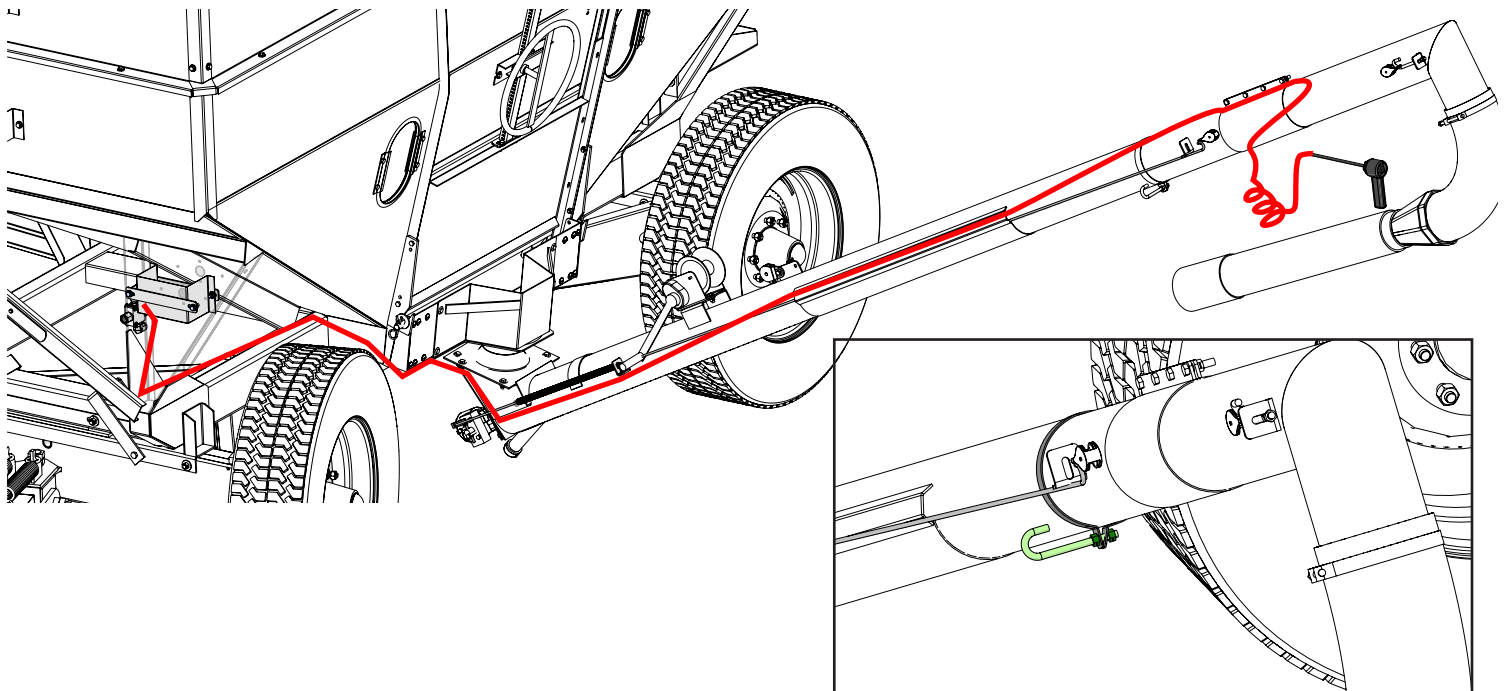
Attach battery box to inside of front leg (Use metal scrap as a template to mark and drill 13/32" holes). Place 12 Volt lawn and garden battery in battery box and secure with strap.

Attach solenoid to side of front leg assembly using (2) 1/4" x 2" bolts and nuts (holes will have to be drilled in side of leg assembly).

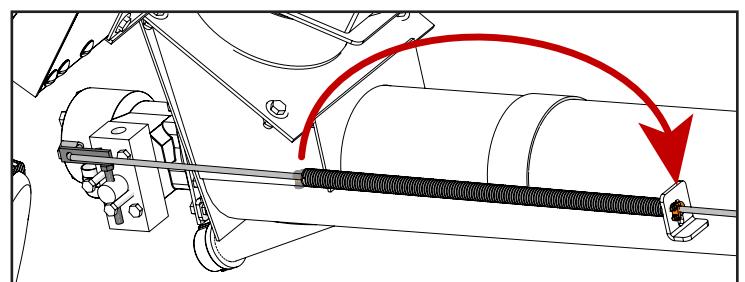


Position hand switch and coiled cable to the top end of the auger. Thread straight end of cable through the 12" steel sleeve (under bolts), through the manual control rod conduit and under the winch assembly. Wire to solenoid and battery. Secure the electric cable to the 6" auger tube using the 20" plastic ties. Secure the electric cable to the 1/2" hydraulic hoses using the 4" plastic ties.

Attach hanger strap with J-bolt to auger tube with open end of J-bolt up. Both the 3-stage telescoping spout and hand switch can be stowed in this hanger. To secure the cable for travel, wrap the cable around the auger tube and secure.



The on-off handle on the auger will need to be in the "on" position. Remove the clamp from the bottom of the spring and pull the handle up to put motor in the "on" position. Place clamp on top of the tab and tighten. The image in the bottom right of the page shows where the clamp should be located.



Hydraulic and Electric Connections

