

OPERATOR'S MANUAL

PATENTED SINGLE AUGER GRAIN CARTS

875-16 Grain Cart



J. & M. Mfg. Co., Inc.

P.O. Box 547 Ft. Recovery, OH 45846

Ph: (419) 375-2376 Fax: (419) 375-2708

www.jm-inc.com

JMMAN0101 (Rev. 02/11/09)

TO THE DEALER:

Read manual instructions and safety rules. Make sure all items on the Dealer’s Pre-Delivery and Delivery Check Lists in the Operator’s Manual are completed before releasing equipment to the owner.

The dealer must complete the Warranty Registration Card attached to the front inside cover of this manual and return to J. & M. Mfg. Co., Inc. at the address indicated on the card. **Warranty claims will be denied if the Warranty Registration Card has not been completed and returned.**

EXPRESS WARRANTY:

J. & M. Mfg. Co. Inc. warrants against defects in construction or materials for a period of ONE year. We reserve the right to inspect and decide whether material or construction was faulty or whether abuse or accident voids our guarantee.

Warranty service must be performed by a dealer or service center authorized by J. & M. Mfg. Co. Inc. to sell and/or service the type of product involved, which will use only new or remanufactured parts or components furnished by J. & M. Mfg. Co. Inc. Warranty service will be performed without charge to the purchaser for parts or labor based on the Warranty Labor Times schedule. Under no circumstance will allowable labor times extend beyond the maximum hours indicated in the Warranty Labor Times schedule for each warranty procedure. The purchaser will be responsible, however, for any service call and/or transportation of the product to and from the dealer or service center’s place of business, for any premium charged for overtime labor requested by the purchaser, and for any service and/or maintenance not directly related to any defect covered under the warranty. Costs associated with equipment rental, product down time, or product disposal are not warrantable and will not be accepted under any circumstance.

Each warranty term begins on the date of product delivery to the purchaser. Under no circumstance will warranty be approved unless (i) the product warranty registration card (attached to the inside of the Operator’s Manual) has been properly completed and submitted to the equipment manufacturer, and (ii) a warranty authorization number has been issued by the equipment manufacturer. This Warranty is effective only if the warranty registration card is returned within 30 days of purchase.

This warranty does not cover a component which fails, malfunctions or is damaged as a result of (i) improper modification or repair, (ii) accident, abuse or improper use, (iii) improper or insufficient maintenance, or (iv) normal wear or tear. This warranty does not cover products that are previously owned and extends solely to the original purchaser of the product. Should the original purchaser sell or otherwise transfer this product to a third party, this Warranty does not transfer to the third party purchaser in any way. J. & M. Mfg. Co. Inc. makes no warranty, express or implied, with respect to tires or other parts or accessories not manufactured by J. & M. Mfg. Co. Inc. Warranties for these items, if any, are provided separately by their respective manufacturers.

THIS WARRANTY IS EXPRESSLY IN LIEU OF ALL OTHER WARRANTIES OR CONDITIONS, EXPRESS, IMPLIED OR STATUTORY, INCLUDING ANY IMPLIED WARRANTY OF MERCHANTABILITY OR FITNESS FOR PARTICULAR PURPOSE.

In no event shall J. & M. Mfg. Co. Inc. be liable for special, direct, incidental or consequential damages of any kind. The exclusive remedy under this Warranty shall be repair or replacement of the defective component at J. & M. Mfg. Co. Inc’s. option. This is the entire agreement between J. & M. Mfg. Co. Inc. and the Owner about warranty and no J. & M. Mfg. Co. Inc. employee or dealer is authorized to make any additional warranty on behalf of J. & M. Mfg. Co. Inc.

The manufacturer reserves the right to make product design and material changes at any time without notice. They shall not incur any obligation or liability to incorporate such changes and improvements in products previously sold to any customer, nor shall they be obligated or liable for the replacement of previously sold products with products or parts incorporating such changes.

SERVICE:

The equipment you have purchased has been carefully manufactured to provide dependable and satisfactory use. Like all mechanical products, it will require cleaning and upkeep. Lubricate the unit as specified. Observe all safety information in this manual and safety signs on the equipment.

For service, your authorized J. & M. dealer has trained mechanics, genuine J. & M. service parts, and the necessary tools and equipment to handle all your needs.

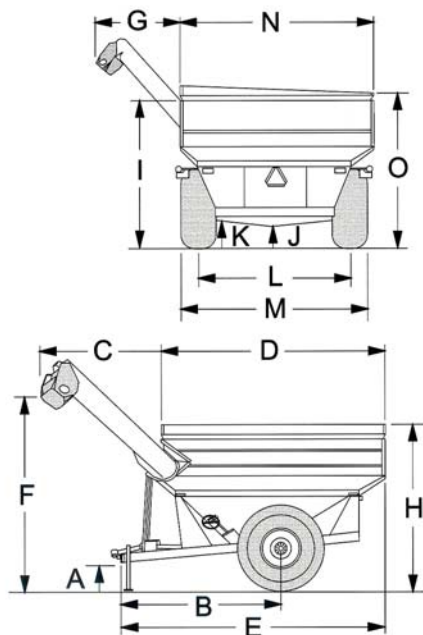
Use only genuine J. & M. service parts. Substitute parts may void the warranty and may not meet standards required for safe and satisfactory operation. Record the model number and serial number of your equipment in the spaces provided:

Serial No.: _____ **Date of Purchase:** _____

Purchased From: _____

Provide this information to your dealer to obtain correct repair parts.

875-16 GRAIN CART SPECIFICATIONS



DIMENSIONS

A)	19"
B)	161"
C)	76"
D)	192"
E)	251"
F)	153"
G)	80"
H)	137"
I)	124"
J)	18"
K)	24"
L)	120"/144"
M)	151"/169"
N)	141"
O)	131"

SPECIFICATIONS

Capacity _____	875 bushels
Auger, one vertical _____	16" diameter
Wheels _____	27x32
Hubs _____	10 bolt
Spindles _____	4 1/2" diameter
Weight (approx.) _____	8,750#
PTO _____	1,000 rpm
Tire Size _____	30.5x32, 12 ply

Tongue Weight:

Empty _____	1,250 lbs
Loaded _____	3,700 lbs

Construction:

Hopper _____	12 GA Steel
Undercarriage _____	8" x 4" x 5/16" Tubing
Axle _____	5" x 5" x 1/2" Tubing
Unloading Time** _____	4 minutes (approx.)

Note: Specifications are subject to change without notice or obligation

* Bushel capacities measured with #2 corn at 15% moisture (56 lb test wt.)

**Time varies with rpm and moisture content of grain





GENERAL INFORMATION

TO THE OWNER:

The purpose of this manual is to assist you in operating and maintaining your grain cart in a safe manner. Read it carefully. It furnishes information and instructions that will help you achieve years of dependable performance and help maintain safe operating conditions. If this machine is used by an employee or is loaned or rented, make certain that the operator(s), prior to operating:

1. Is instructed in safe and proper use.
2. Reviews and understands the manual(s) pertaining to this machine.

Throughout this manual, the term **IMPORTANT** is used to indicate that failure to observe can cause damage to equipment. The terms **CAUTION**, **WARNING** and **DANGER** are used in conjunction with the Safety-Alert Symbol, (a triangle with an exclamation mark), to indicate the degree of hazard for items of personal safety. When you see this symbol, carefully read the message that follows and be alert to the possibility of personal injury or death.

	This Safety-Alert symbol indicates a hazard and means ATTENTION! BECOME ALERT! YOUR SAFETY IS INVOLVED!
 DANGER	Indicates an imminently hazardous situation that, if not avoided, will result in death or serious injury.
 WARNING	Indicates a potentially hazardous situation that, if not avoided, could result in death or serious injury, and includes hazards that are exposed when guards are removed.
 CAUTION	Indicates a potentially hazardous situation that, if not avoided, may result in minor or moderate injury.
IMPORTANT	Indicates that failure to observe can cause damage to equipment.
NOTE	Indicates helpful information.

GENERAL INFORMATION

BOLT TORQUE CHART

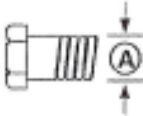
Always tighten hardware to these values unless a different torque or tightening procedure is listed for a specific application.

Fasteners must always be replaced with the same grade as specified in the manual parts list.


Always use the proper tool for tightening hardware: SAE for SAE hardware and Metric for metric hardware.

Make sure fastener threads are clean and you start thread engagement properly.

All torque values are given to specifications used on hardware defined by SAE J1701 & J1701M JUL 96.




SAE SERIES TORQUE CHART




SAE Bolt Head Identification

SAE Grade 2 (No Dashes)

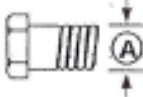


SAE Grade 5 (3 Radial Dashes)

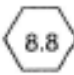


SAE Grade 8 (6 Radial Dashes)

Diameter (Inches) ^(A)	Wrench Size	MARKING ON HEAD					
		SAE 2		SAE 5		SAE 8	
		Lbs.-Ft.	N-m	Lbs.-Ft.	N-m	Lbs.-Ft.	N-m
1/4	7/16"	6	8	10	13	14	18
5/16	1/2"	12	17	19	26	27	37
3/8	9/16"	23	31	35	47	49	67
7/16	5/8"	36	48	55	75	78	106
1/2	3/4"	55	75	85	115	120	163
9/16	13/16"	78	106	121	164	171	232
5/8	15/16"	110	149	170	230	240	325
3/4	1-1/8"	192	261	297	403	420	569
7/8	1-5/16"	306	416	474	642	669	907
1	1-1/2"	467	634	722	979	1020	1383




METRIC SERIES TORQUE CHART



Metric Bolt Head Identification

Metric Grade 8.8



Metric Grade 10.9

Diameter & Thread Pitch (Millimeters) ^(A)	Wrench Size	COARSE THREAD MARKING ON HEAD				FINE THREAD MARKING ON HEAD				Diameter & Thread Pitch (Millimeters) ^(A)
		Metric 8.8		Metric 10.9		Metric 8.8		Metric 10.9		
		N-m	Lbs.-Ft.	N-m	Lbs.-Ft.	N-m	Lbs.-Ft.	N-m	Lbs.-Ft.	
6 x 1.0	10 mm	8	6	11	8	8	6	11	8	6 x 1.0
8 x 1.25	13 mm	20	15	27	20	21	16	29	22	8 x 1.0
10 x 1.5	16 mm	39	29	54	40	41	30	57	42	10 x 1.25
12 x 1.75	18 mm	68	50	94	70	75	55	103	76	12 x 1.25
14 x 2.0	21 mm	109	80	151	111	118	87	163	120	14 x 1.5
16 x 2.0	24 mm	169	125	234	173	181	133	250	184	16 x 1.5
18 x 2.5	27 mm	234	172	323	239	263	194	363	268	18 x 1.5
20 x 2.5	30 mm	330	244	457	337	367	270	507	374	20 x 1.5
22 x 2.5	34 mm	451	332	623	460	495	365	684	505	22 x 1.5
24 x 3.0	36 mm	571	421	790	583	623	459	861	635	24 x 2.0
30 x 3.0	46 mm	1175	867	1626	1199	1258	928	1740	1283	30 x 2.0

TABLE OF CONTENTS

INTRODUCTION	2
EXPRESS WARRANTY	2
SPECIFICATIONS	3
GENERAL INFORMATION	3
BOLT TORQUE CHART	4
SAFETY RULES	6
SAFETY SIGNS	7
INITIAL OPERATION	8
OPERATION	9-10
ROUTINE MAINTENANCE	11
TROUBLE SHOOTING	12
SERVICE	13-14
STORAGE	14
REMOVING FROM STORAGE	14
PARTS LISTS/DIAGRAMS	15-20
WEIGH SCALE INSTALLATION INSTRUCTIONS	21-23
ROLL TARP INSTALLATION	24-28
SERVICE RECORDS	29

SAFETY RULES



ATTENTION! BECOME ALERT! YOUR SAFETY IS INVOLVED!



Safety is a primary concern in the design and manufacture of our products. Unfortunately, our efforts to provide safe equipment can be erased by an operator's single careless act. In addition, hazard control and accident prevention are dependent upon the awareness, concern, judgement, and proper training of personnel involved in the operation, transport, maintenance and storage of equipment.

Make certain that the operator(s), prior to operating is instructed in safe and proper use and reviews and understands the manual(s) pertaining to this machine. Also make certain that the operator(s) reviews and understands the operator's manual of the tractor prior to hooking up or operating the grain cart.

Read this manual before you operate this machine. If you do not understand any part of this manual, or need more information, contact the manufacturer or your authorized dealer.

SAFETY

Understand that your safety and the safety of other persons is measured by how you service, and operate this machine. Know the positions and functions of all controls before you try to operate them. Make sure to check all controls in a safe area before starting your work.

The safety information given in this manual does not replace safety codes, federal, state or local laws. Make certain your machine has the proper equipment as designated by local laws and regulations.

A frequent cause of personal injury or death is from persons falling off equipment and being run over. Do not permit persons to ride on this machine.

Travel speeds should be such that complete control and machine stability is maintained at all times. Where possible, avoid operating near ditches, embankments and holes. Reduce speed when turning, crossing slopes and rough, slick or muddy surfaces.

Collision of high speed road traffic and slow moving machines can cause personal injury or death. On roads, use flasher lights according to local laws. Keep slow-moving-vehicle emblem visible. Pull over to let faster traffic pass.

Hydraulic oil leaking under pressure can penetrate skin and cause infection or other injury.

To Prevent Personal Injury:

Relieve all pressure, before disconnecting fluid lines.

Before applying pressure, make sure all connections are tight and components are in good condition.

Never use your hand to check for suspected leaks under pressure. Use a piece of cardboard or wood for this purpose.

If injured by leaking fluid, see you doctor immediately.

When transporting the grain cart, always keep the auger in stow position.

Use care when moving or operating grain cart near electric lines as serious injury or death can result from contact.

Never adjust, service, clean, or lubricate grain cart until all power is shut off. Keep all safety shields in place. Keep hands, feet, hair and clothing away from moving parts while unit is in operation.

The service ladder is for service work only. If you must climb into grain tank, be certain that all power is shut off and then use extreme caution when climbing into grain cart.

Make sure that everyone is clear of equipment before applying power or moving the machine.

Make sure that the grain cart is fastened securely to the tractor by using a high strength hitch pin, clip and safety chains. Make sure that the grain cart hitch properly matches the hitch type of the tractor. Use a single prong (spade) grain cart hitch with a double prong (clevis) tractor hitch. Use a double prong (clevis) grain cart hitch with a single prong (spade) tractor hitch.

Before filling the grain cart, make certain that no one is inside the grain tank. Never allow children or anyone in, near, or on the grain cart during transport or during loading and unloading of grain. Be aware that moving grain is dangerous and can cause entrapment, resulting in severe injury or death by suffocation.

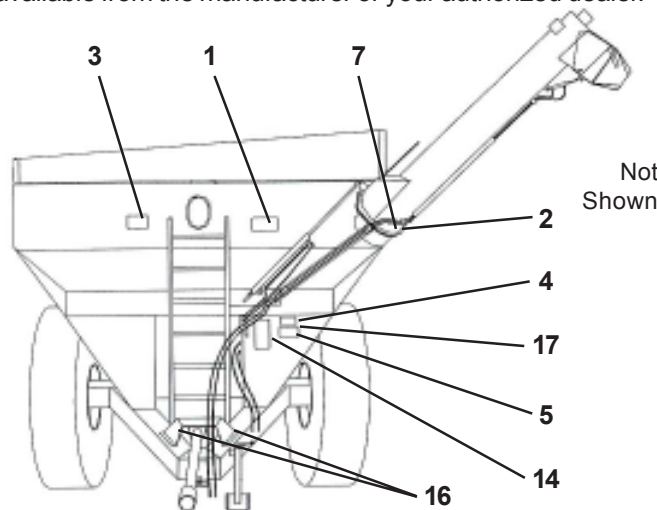
Never operate the auger system with anyone inside of the grain tank. Hands, feet, hair, and clothing can fit through the openings in and around the grate. Contact with the auger can cause severe injury or death. Make certain that all power is shut off before service work is performed.

Before unhooking the grain cart from the tractor, be sure to properly block the wheels to prevent the cart from moving.

SAFETY SIGNS

ATTENTION! BECOME ALERT! YOUR SAFETY IS INVOLVED!
 Replace Immediately If Damaged or Missing!

IMPORTANT: Install new safety signs if the old signs are destroyed, lost, painted over or cannot be read. When parts are replaced that have safety signs, make sure you install a new sign with each new part. New signs are available from the manufacturer or your authorized dealer.



Ref. #	Description	Part #	Req'd
1	Sign, Danger	CDD-101	1
2	Sign, Danger	CDD-103	3
3	Sign, Danger	CDD-102	1
4	Sign, Danger	CDD-104	3
5	Sign, Warning	CDW-107	1
6	Sign, Important	CDI-112	1
7	Sign, Warning	CDW-109	1
8	Sign, Farm Use	CDI-113	1
9	Sign, Open	CDI-114	1
10	Sign, Closed	CDI-115	1
11	Sign, J&M (small)	CDD-116	2
12	Sign, J&M (large)	CDD-111	4
13	Sign, Vinyl	CDD-117	1
14	Sign, Danger	CDD-105	1
15	Sign, Warning	CDW-110	2
16	Sign, Danger	CDD-106	5
17	Sign, Warning	CDW-108	1



CDD-101



CDD-102



CDD-103



CDD-104



CDD-105



CDD-106



CDW-108



CDW-107



CDW-109



CDW-110

INITIAL OPERATION/MAINTENANCE



BE CERTAIN THAT ALL POWER IS SHUT OFF BEFORE SERVICING THE GRAIN CART.

Before the grain cart is put into service:

Have the safety instructions been read and clearly understood by the operator(s) of this machine?

Has the gearbox been properly filled with EP-80-90 gearbox lubricant?

Have all nuts, bolts, bearings and braces been properly fastened?

IMPORTANT: Has the slip clutch on the PTO been serviced? If the slip clutch is left unchecked, damage to the power-take-off and drive shaft may result. Before using the grain cart, loosen the bolts around the slip clutch. Make sure that the friction plates turn free of each other and are not corroded together. Retighten the tension bolts. Run the auger system EMPTY and check for proper engagement of the slip clutch.

Check the PTO overlap length. Overlap length may vary depending on tractor model. Try to obtain the greatest possible overlap without bottoming out in the maximum operating condition. **Too much overlap may cause PTO to bottom out and damage driveline.** See OPERATING INSTRUCTIONS for recommended overlap.

Are all bearings on the drive line properly greased? Are all set screws in the bearings and U-joints tight? Has the power-take off been properly greased at all points including cross bearings? Has the universal joint at the gearbox been greased?

Has the hanger bushing assembly at the auger hinge been greased and have all grease points at the hinge area been greased?

TIRE PRESSURE - Are the tires properly inflated? The following is to be used as a **general guide** for tire inflation for cyclic use. Figures can vary depending on specific brand of tire used. **It is important that tires are inspected before and after unit is loaded.** Start with the minimum pressure indicated. The tire should stand up with no side wall buckling or distress as tire rolls. **Do Not Exceed Maximum Recommended Tire Pressure.**

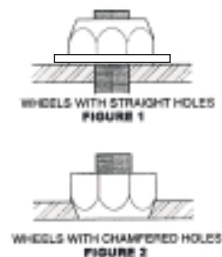
Tire Size	Pressure	Tire Size	Pressure
480/80R46	35 psi	35.5x32	35-38 psi
520/85R42	37 psi	900/60R32	36-42 psi
23.1 x 26	38 psi	66x43.00	37-40 psi
24.5 x 32	38 psi	73x44.00	37-40 psi
30.5 x 32	36-40 psi	76x50.00	41 psi

VERY IMPORTANT:

Under no circumstance is it recommended to tow a loaded grain cart in excess of 8 m.p.h.

WHEEL NUTS - Are the wheel nuts properly fastened (torque to 380 Lbs.-Ft. for standard 3/4" wheel studs and nuts)? **They should be checked after each load during initial operation of the cart and then after every 10 hours of use. Failure to do so may damage wheel nut seats.** Once seats are damaged, it will become impossible to keep nuts tight.

The drawing shows the proper ways of mounting the wheels using Budd-type nuts. The wheels supplied with your Grain Cart have straight holes and the Budd nuts will be mounted according to Figure 1. Wheels that are improperly installed on the grain cart, resulting in product failure, will nullify warranty and shift the burden of liability to the owner/operator of the equipment. We suggest that you inspect your wheel nuts to make sure that they are properly installed. Also, check the wheel nuts on a regular basis to ensure they are tight.



LIGHTING AND SAFETY DECALS - Are the rear, amber extremity lights properly positioned? Extend lights within 16" of the left and right extremities of the grain cart. Is a SMV Emblem attached to the grain cart?

Are the lights working properly? Are all reflective decals clean and visible? Are they positioned correctly?

OPERATING INSTRUCTIONS

WARNING

BE CERTAIN THAT ALL POWER IS SHUT OFF WHEN HOOKING UP TO TRACTOR OR CONNECTING HYDRAULIC LINES TO TRACTOR.

Preparing the Grain Cart for Use (see tractor recommendation for grain cart model below):

Model 525-14W Grain Cart requires a 100 hp tractor or larger.

Model 620-14, 750-14, 750-16 or 750-18 Grain Cart requires a 130 hp tractor or larger.

Model 875-16 or 875-18 Grain Cart requires a 150 hp tractor or larger.

Model 1075-18R, 1075-22R, 1050-18 or 1050-22 Grain Cart requires a 4WD tractor.

IMPORTANT: Do NOT pull loaded grain cart on highway. For incidental highway travel, observe the section below.

Tow Loads Safely

Stopping distance increases with speed and weight of towed loads, and on slopes. Towed loads with or without brakes that are too heavy for the tractor or are towed too fast can cause loss of control. Consider the total weight of the equipment and its load.

Observe these recommended maximum road speeds, or local speed limits which may be lower:

- **Road Travel (empty grain cart)** - Do not travel more than 32 km/h (20 mph) and do not tow loads more than 1.5 times the pulling unit's weight.

Ensure the load does not exceed the recommended weight ratio. **Use additional caution when towing loads under adverse surface conditions, when turning, and on inclines.**

IMPORTANT:

1) Hookup grain cart to tractor using a good quality hitch pin. Attach the safety chain (not included as standard equipment) to the tractor and around the A-frame of the cart as shown. Make sure the grain cart hitch properly matches the hitch of the tractor. Use a single prong (spade) grain cart hitch with a tractor double prong (clevis) hitch. Use a double prong (clevis) grain cart hitch with a single prong (spade) tractor hitch.



SAFETY CHAIN USER INSTRUCTIONS

- a) Secure the safety chain by looping it around the grain cart attaching frame on the left side (or both sides if required) and connect to the towing machine's attaching bar.
- b) Do Not allow no more slack than necessary for articulation (max 11 in.).
- c) Do Not use any intermediate support as the attaching point.
- d) Store the safety chain by securing it around the main axle A-frame of the grain cart.
- e) Replace the safety chain if one or more links or end fittings are broken, stretched or otherwise damaged or deformed.

2) Attach power-take-off shaft to tractor. PTO must have at least 5" of engagement. Check tractor drawbar for clearance and length and adjust if needed. **Make sure that the PTO does not bottom out when making sharp turns as it may bend the drive shaft.**

3) Make sure the jack stand is removed from the lower support position before the cart is moved. Never use the jack to support a loaded grain cart.

4) Be sure that no debris or foreign objects are in the grain cart.

5) Attach hydraulic lines to the tractor. Two hydraulic lines operate the gate mechanism. Connect these lines to one service outlet on the tractor. The remaining two lines operate the folding mechanism of the auger. Connect these lines to a second service outlet on the tractor. Make sure the air is bled from the hydraulic cylinders and lines.

6) Run auger system EMPTY before actual use. Make certain that slip clutch is operating and that upper and lower augers are properly engaged.

7) Connect lighting hook-up to tractor electric outlet. **Make sure that all flasher and turn indicator lights are working properly before incidental highway travel.**

OPERATING INSTRUCTIONS (Continued)

LOADING AND UNLOADING THE GRAIN CART

- 1) With the gate indicator in the closed position, fill the tank with grain.
- 2) With the PTO disengaged, fold discharge auger to upright position.
- 3) **IMPORTANT:** After the auger is in the upright position, be sure to start the PTO at a SLOW RATE OF SPEED until the lugs on the upper auger engage the drive dog on the bottom auger (failure to follow this procedure may cause extensive damage to both the drive dog and drive line.)
- 4) Increase PTO speed and open the inner gate until the pointer is in the half-way position. When grain begins flowing from the discharge auger, open gate to the full position.
- 5) Once the grain has ceased to flow, return the gate to the closed position (for complete cleanout, gradually close gate, allowing the opening to be reduced). Disengage the PTO and allow its rotation to come to a complete stop. Auger is now ready to be returned to the stow position. (Important - Do Not Pull the grain cart through the field with the unloading auger in the upright position. Failure to return the auger to the lowered position may damage hinge and greatly reduce the life of the auger system.)



CAUTION

TO THE OPERATOR(S)

Do NOT operate grain cart before reading and understanding the Operator's Manual and ALL danger, warning and caution signs.

Be sure that a slow-moving-vehicle emblem is attached to the rear of the grain cart.

Never exceed 1,000 rpm on the system.

Never fold or extend the auger until the PTO has come to a complete stop.

Never fill the grain cart unless the gate indicator is in the closed position.

Never allow foreign objects (shovels, etc.) to be placed inside the grain cart.

Never engage lugs and drive dogs when system is moving at a high rate of speed.

Never do maintenance work or service the cart with the tractor running.

LUBRICATION SERVICE SCHEDULE

IMPORTANT: Your Grain Cart has grease fittings at all critical points. These should be serviced before the cart is put into operation.

WARNING

BE CERTAIN THAT ALL POWER IS SHUT OFF BEFORE SERVICING THE GRAIN CART.

Hitch: There is a grease fitting located on the pivot shaft of the swivel hitch.

PTO & Drive Line: The grease fittings on the PTO should be serviced after every 8 hours of use. Service the grease fittings on each of the drive bearings and also the universal joint after every 8 hours of use.

Folding Mechanism of Auger: One grease fitting is located on the pivot pin of the folding auger. This fitting should be serviced after every 8 hours of use. Service the grease fitting on the hanger bushing assembly (top end of the lower auger assembly) after every 8 hours of use or as needed.

Spring Loaded Top Auger Bearing: Service the grease fitting on the upper auger bearing (located on the top end of the upper auger assembly) after every 8 hours of use. Lubricate springs and retaining bolts on the bearing before prolonged storage of the grain cart.

Gearbox: Gearbox lubricant has been added to the gearbox during final assembly. Recheck lubricant level before initial operation of this cart. The fluid level should be checked from time to time. An inspection plug is located in the center of the top of the gearbox mount plate. To check the fluid level, remove drain plug at the bottom of the gearbox and also the vented inspection plug. Drain lubricant. Return drain plug and refill gearbox with 24 ounces of gearbox lubricant. (Gearbox is properly filled when half full of lubricant). **DO NOT OVERFILL.** Use EP 80-90 gearbox lubricant or equivalent.

ROUTINE MAINTENANCE

WARNING

WHEN SERVICING THE GRAIN CART, BE CERTAIN THAT ALL POWER IS SHUT OFF.

Repack the wheel bearings at least once a year. Use Bearing Gard MK1 or equivalent lubricant. Also check the seal for wear and replace if necessary.

Check the grain cart periodically for cracks in welds and for other structural damage. Have cracked welds fixed immediately. Failure to do so could result in extensive damage to the grain cart and greatly reduce the life of the cart.

Lubricate the slides on the clean-out door.

Check hydraulic hoses for wear and replace if needed.

Make sure that the tires are properly inflated. See INITIAL OPERATION / MAINTENANCE for recommended instructions for tire pressure. It is important that tires are inspected before and after unit is loaded.

Check PTO for wear of plates in slip clutch. Replace if needed.

Make sure that all guards and shields are in place before operating the grain cart.

Make sure wheel nuts are tight before operating the grain cart. Wheel Nuts should be checked during initial operation of the cart and after every 10 hours of use.

Make sure set screws are tight in bearings along drive line and in U-joints.

TROUBLE SHOOTING

WARNING

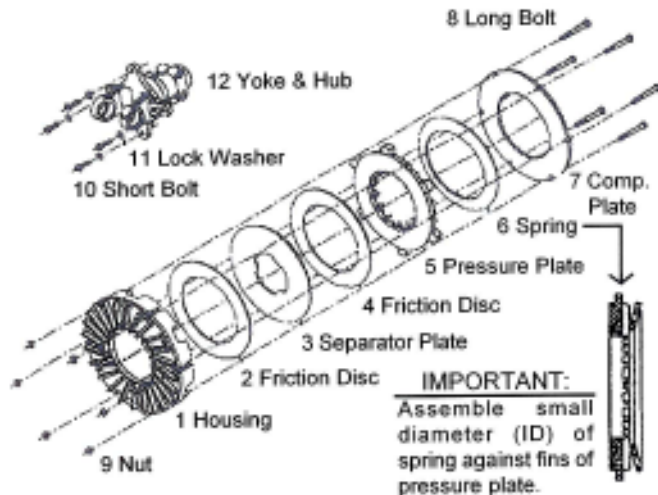
MAKE SURE THAT ALL POWER IS SHUT OFF BEFORE SERVICING THE GRAIN CART. MAINTENANCE AND REPAIR SERVICE WORK TO BE PERFORMED BY QUALIFIED SERVICEMEN ONLY.

Trouble...	Possible Cause ...	Possible Remedy ...
Auger will not return to down position or move from stow position	Dirt in restricter	Remove restricter fittings from outside hydraulic cylinder and clean out dirt
	Faulty Check Valve	Repair or Replace Valve
	Upper flighting and lower flighting locked together	Bearing on top of upper flighting needs adjusting. When auger is in engaged position, there must be a 1/8" gap between bottom of top bearing and top of upper tube assembly (SEE ADJUSTING THE UPPER FLIGHTING)
Slip Clutch not working properly	Pressure plates (lining) corroded together	Loosen bolts around slip clutch, remove dirt and corrosion, and re-tighten bolts to proper tension
Hanger Bushing Assembly at top of lower flighting is hot	Top of hanger bushing assembly is rubbing against the drive dog	Adjust position of hanger bushing assembly
		Remove lower flighting assembly and place a shim between spline and gearbox
Excessive Vibration	Auger flighting or shaft is bent	Straighten or replace auger flighting
	Drive shaft is bent	Replace or straighten drive shaft
Grain flow stoppage	Bolt sheared in drive dog	Replace bolt in drive dog. Engage upper and lower flighting at a slow rate of speed. (Drive dog and lugs are being engaged at too fast a rate of speed)
	Bolt sheared in drive dog	Upper and lower flighting are disengaged before auger comes to a complete stop. Replace bolt in drive dog. Never engage or disengage upper and lower flighting until auger comes to a complete stop
	Slip clutch not working properly	Inspect clutch linings and replace if worn
	PTO key sheared	Replace key and tighten set screw
Auger tube breaking away from grain cart at hinge or ram in hydraulic cylinder is bent	Auger is extended in upright position while traveling in field	Lower auger to stow position after unloading

ADJUSTING THE SLIP CLUTCH

IMPORTANT: If the machine has never been used or has not been operated for (1) season, the following is recommended.

- 1) Make sure the tractor is off and the PTO is disengaged.
- 2) Disconnect the driveline from the tractor.
- 3) Locate the (6) bolts (Item 8) on the O.D. of the clutch pak. Loosen the bolts until they rotate freely, finger tighten each bolt, and then tighten each bolt one half turn.
- 4) Attach the implement to the tractor with a hitch pin, and the driveline to the tractor PTO shaft.
- 5) Start the tractor. Engage the PTO and run a few seconds, or until the friction clutch visibly smokes.
- 6) Disengage the tractor PTO and shut the tractor off.
- 7) Disconnect the driveline from the tractor.
- 8) Tighten the (6) bolts (Item 8) on the O.D. of the clutch pak until the compression plate (Item 7) is in contact with the housing (Item 1), then keep tightening each bolt to 30 ft. lbs.
- 9) Locate the (4) bolts (Item 10) that attach the yoke & hub (Item 12) to the clutch pak and check that each bolt is tightened to 30 ft. lbs.



Tools required: (1) 1/2" Box wrench or socket.

ADJUSTING THE LOWER FLIGHTING AND HANGER BUSHING ASSEMBLY

WARNING

MAKE SURE THAT ALL POWER IS SHUT OFF BEFORE ADJUSTING THE FLIGHTING ASSEMBLY.

If the drive-dog and hanger assembly are becoming excessively hot during unloading, the lower flighting and/or hanger may need adjusting. The hanger bushing assembly has elongated holes where it attaches to the outer tube assembly. Loosen the two 3/8" bolts on the hanger bushing assembly. Adjust the hanger either up or down and locate in center between flighting center and drive-dog. Retighten the bolts. (Make certain that the flighting center and drive-dog does not rub the hanger bushing assembly causing them to become hot.)

If the hanger can no longer be adjusted by moving it up or down on the elongated holes, both the hanger bushing assembly and the lower flighting will have to be removed. After removing them from the tube assembly, place a shim (between 1/8" - 3/16" thick) where the gearbox and the spline coupler (welded to lower flighting) meet. Replace the lower flighting and reattach the hanger to the tube assembly. Readjust the hanger assembly. (NOTE: The bottom of the lower flighting is not attached to the gearbox with any bolts or set screws but may be "froze" fast. Be careful when removing the lower flighting from the gearbox.) For easier removal of the lower flighting, keep the gearbox at the bottom intact, remove the 2 3/8" bolts from the hanger bushing assembly and pull the lower flighting off of the gearbox.

After adjusting the lower flighting, check the upper flighting for readjustment.

ADJUSTING THE UPPER FLIGHTING

WARNING

MAKE SURE THAT ALL POWER IS SHUT OFF BEFORE ADJUSTING THE FLIGHTING ASSEMBLY.

If the upper and lower flightings do not properly separate during the unfolding sequence, the upper flighting may need adjusting. Before making adjustment to upper flighting, check to see if the lugs and drive-dog are locking together by checking for a 1/8" space between the base of the 4-hole flange bearing and the upper tube housing. (If not, dirt in the restricter or a faulty check valve on the hydraulic cylinder used to raise the upper tube may be the cause of the problem. *See instruction for removing dirt from the restricter).

Fold the upper tube assembly into the upright position. Position upper flighting in engaged position with lower flighting. Locate 4-hole flange bearing on top of the upper tube housing. With the upper flighting in the engaged position, check the spacing between the upper bearing and the upper tube housing. There must be a 1/8" space between the base of the 4-hole flange bearing and the upper tube housing. If there is NOT a space between the bearing and the upper tube housing, or if there is more than a 1/8" space, the upper flighting will need adjusting. To adjust the upper flighting, loosen the 1 1/4" hex nuts both below and above the 4-hole flange bearing. Move the 1 1/4" hex nuts either up or down the threaded shaft on top of the upper flighting until a 1/8" gap is between the base of the bearing and the upper tube housing. Tighten the 1 1/4" hex nuts.

If the upper and lower flighting still does not separate properly during the folding sequence, a small bevel may need to be ground out of the inside of the lugs where they meet the drive-dog. Grind approximately 1/8" off of the corner of the lugs where they touch against the drive-dog.

REMOVING DIRT FROM RESTRICTERS ON HYDRAULIC CYLINDER

WARNING

MAKE SURE THAT ALL POWER IS SHUT OFF AND THE UPPER AUGER TUBE IS IN THE DOWN POSITION BEFORE REMOVING THE RESTRICTERS.

Remove restricters from 90 degree street elbow on hydraulic cylinder. Remove dirt from fitting to allow hydraulic oil to flow freely through the restricter. Reattach the restricter to the street elbow. Use teflon sealant tape or equivalent on the threads of the restricter before reattaching.

If restricter continues to plug with dirt, replace or filter the hydraulic oil in your system.

STORAGE PREPARATION

IMPORTANT: When the grain cart is not going to be used for a length of time, store the cart in a dry, protected place. Leaving your grain cart outside, open to the weather, will shorten its life.

Follow the procedure below when your grain cart is placed in storage for periods up to six months.

- 1) Cover electronic monitor (if equipped) with plastic before washing the grain cart. Wash or clean and completely lubricate the grain cart. (*See the lubrication service section in this manual.)
- 2) Remove all grain from inside the grain tank, auger tube assemblies, and at the clean-out door.
- 3) Check gearbox oil in the gearbox and replace with new EP 80-90 gearbox lubricant if necessary.
- 4) Touch-up spots where paint has been worn away (use a good quality primer paint - especially before applying graphite paint to the inside of the grain tank).
- 5) Retract all hydraulic cylinders to prevent the piston rods from rusting.
- 6) If the grain cart is equipped with an electronic weigh system, fully charge the battery to prevent freezing. Disconnect the negative (-) ground cable at the battery to prevent possible discharge.
- 7) Clean the tires before storage. Inflate the tires at regular intervals.
- 8) Open the clean-out door at the base of the grain tank.

REMOVING FROM STORAGE

- 1) Check the oil in the gearbox.
- 2) Check the battery and make sure that it is fully charged (if equipped with an electronic weigh system). Reconnect the negative (-) cable.
- 3) Inflate the tires to the correct operating pressures.
- 4) Close the clean-out door at the base of the grain tank.
- 5) Make sure that all shields are in the proper position.

REPAIR PARTS LIST AND DIAGRAMS

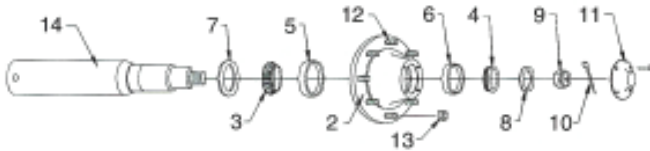
When performing maintenance work, wear sturdy, rough-soled work shoes and protective equipment for eyes, hair, hands, hearing and head. Follow Operator's Manual instructions to ensure safe and proper maintenance and repair.

Your local, authorized dealer can supply genuine replacement parts. Substitute parts may not meet original equipment specifications and may be dangerous.

WARNING

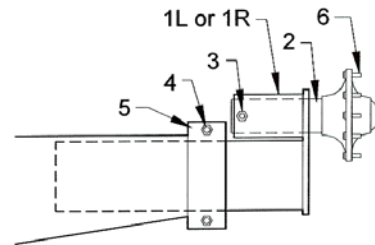
BE CERTAIN THAT ALL POWER IS SHUT OFF BEFORE PERFORMING ANY MAINTENANCE OR REPAIR WORK.

HUB AND SPINDLE ASSEMBLY



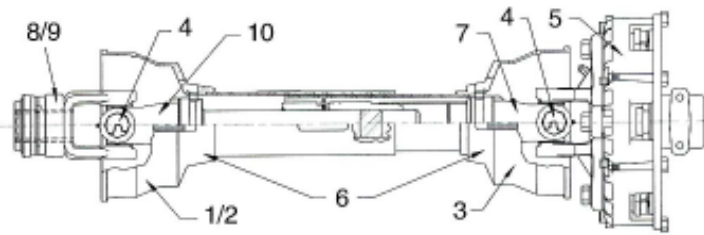
#	Part #	Description
1	27x32-10 25x36-10 31x32-10	Wheel Rim, 10 hole 27x32 Wheel Rim, 10 hole 25x36 Wheel Rim, 10 hole 31x32
2	W-881	Hub with studs and nuts
3	4T-HM218248	Large Bearing
4	HM212049	Small Bearing
5	910344	Large Race
6	910384	Small Race
7	CR-43771 37605SA	Seal Seal (6" OD, 3 3/4" ID for scales)
8	913635	Spindle Washer
9	912973	Slotted Spindle Nut
10	905945	Cotter Pin
11	909921	Dust Cap
12	913564	Wheel Stud, 3/4"-16
13	913571	Wheel Nut, 3/4"-16
14	281900	Spindle (4 1/2" dia. X 30 1/2")
15	HSA-650	Hub & Spindle Assembly
16	17HBLN	1" x 7" Hex Bolt w/Lock Nut

FULLY ADJUSTABLE AXLE PARTS LIST



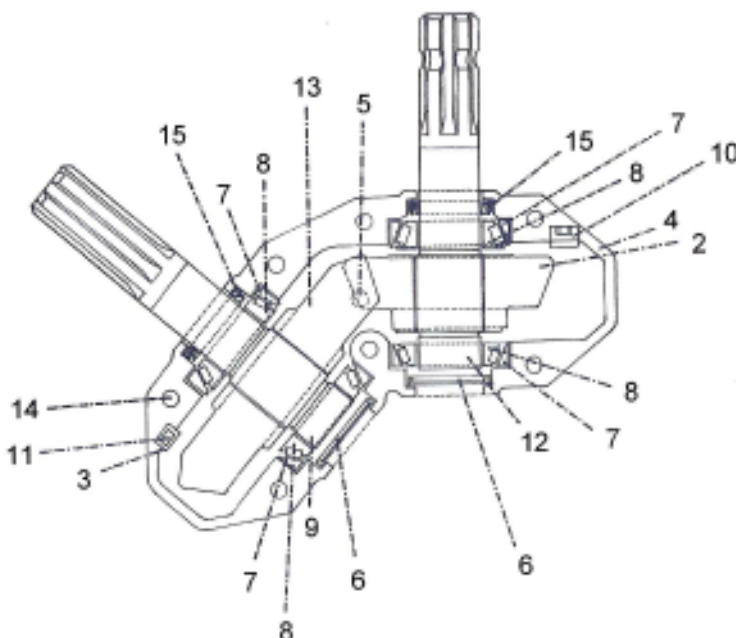
#	Part #	Description
1L	FAA-1L	Fully Adjustable Axle Weldment (Left)
1R	FAA-1R	Fully Adjustable Axle Weldment (Right)
2	281900-22	4 1/2" Diameter Spindle x 22"
3	586BLN	5/8" x 6" Bolt with Lock Nut
4	19BLNG8	1"-8 x 9" Bolt with Lock Nut (Grade 8)
5	CP-1B	Back Clamp Plate for Fully Adj. Axle
6	750-35-78	7/8"-14 Wheel Stud (Grade 8) for dual wheels
7	78NG8	7/8"-14 Wheel Nut (Grade 8) for dual wheels

POWER TAKE-OFF SHAFT



#	Part #	Description
1	91-1400-F-138	Front Half of PTO (1 3/8")
2	91-1400-F-134	Front Half of PTO (1 3/4")
3	97-18615B	Back Half of PTO
4	03-10134	Cross Kit
5	11-11167	Lining
6	1628ICS	Complete Shield w/Nylon Bearing, Retainer
7	98-15972	Yoke & Tube
8	14122-1012	Spring-Lok Yoke (1 3/8")
9	14011-1960	Spring-Lok Yoke (1 3/4")
10	99-16281	Yoke & Shaft
11	91-1400-138	PTO Shaft Complete (1 3/8")
12	91-1400-134	PTO Shaft Complete (1 3/4")

130 DEGREE GEARBOX ASSEMBLY

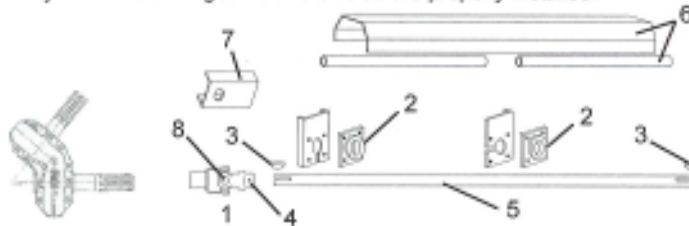


#	Part #	Description
1	H51AES	130 Degree Gearbox Complete
2	H51S18	18 Tooth Gear
3	4003V8	Bushing (1/2" x 1/4" reducer)
4	H00001-1	Casting Mod (2 pcs.)
5	200300	Plain Plug
6	400301	End Cap
7	414276	Bearing Cup
8	514137	Bearing Cone
9	H00111-02	Output Shaft
10	400300	Solid Plug
11	2003PR	Vented Plug
12	H00111-01	Input Shaft
13	H51S29	29 Tooth Gear
14	438225	2 1/4" Bolt
15	513569	Seal, 1 3/8"

DRIVE LINE ASSEMBLY

WARNING

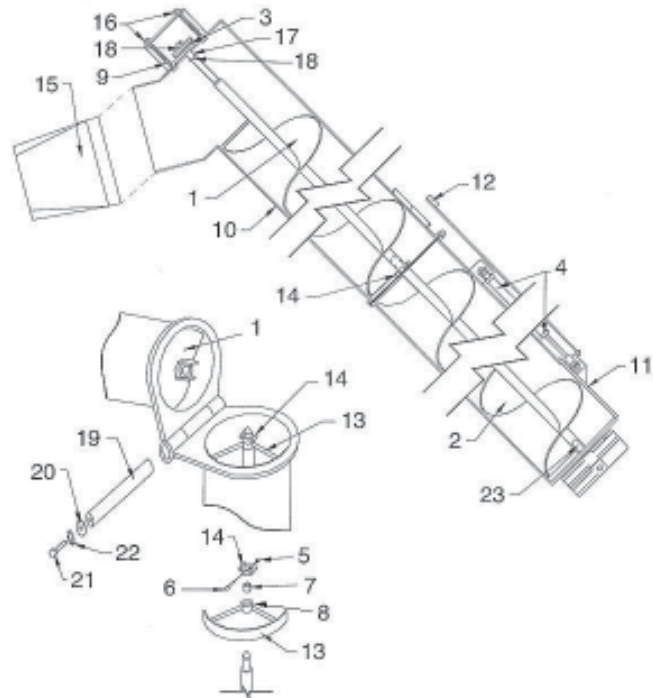
For Illustration Purposes Only. Never Operate the driveline/auger system unless all guards and shields are properly installed.



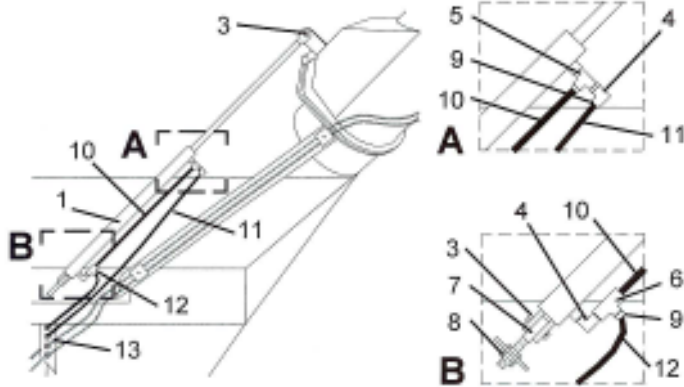
#	Item #	Description
1	M-6635-A	U-Joint
2	GRAF-206	1 1/4" Flange Bearing
3	516114	5/16" x 1 1/4" Half Moon Key
4	SS-3812	3/8" x 1/2" Set Screw
5	DS-89	Drive Shaft, 1 1/4" x 89"
6	GDS-114-F	Guard for Drive Shaft (includes plastic shield)
7	3S-DUJ	Shield over U-Joint
8	03-10134	Cross Kit (14R)

UPPER AND LOWER AUGER ASSEMBLY

#	Part #	Description
1	UF-16-F6R	Upper Flighting welded to 2 1/2" pipe
2	LF-16-F5R	Lower Flighting welded to 2 1/2" pipe
3	GRAF-206	1 1/4" Flange Bearing
4	JD20024	Hydraulic Cylinder, 2" x 24"
5	LN-58	5/8" Lock Nut
6	58412GR8	5/8" x 4 1/2" Bolt Gr 8
7	EB-134	1 3/4" ID x 2" OD Bronze Bushing
8	1610BL	Grease Fitting (screw)
9	CMSUAA-4	Compression Spring
10	UAH-16	Upper Auger Tube Assembly
11	AGC-875	Auger Gate Cover Assembly
12	GI-12-6	Gate Indicator
13	HBA-875	Hanger Bushing Assembly
14	DDW-214	Drive Dog Weldment
15	SFS-2	Steel Funnel Spout
16	MB-126	1/2" x 5 1/2" HHMB w/Nut
17	112S	1 1/2" Long Spacer
18	HN-114	1 1/4" Hex Jam Nut
19	134-PIH	1 3/4" Pin-In-Hinge Assembly
20	12-HW	1/2" Heavy Washer
21	12114HB-5	1/2" x 1 1/4" HHMB
22	LW-12	1/2" Lock Washer
23	SC-2X2716	Spline Coupler 2" x 2 7/16"OD
24	JD244	Seal Kit for 2" x 24" Hyd. Cyl. (Not Shown)



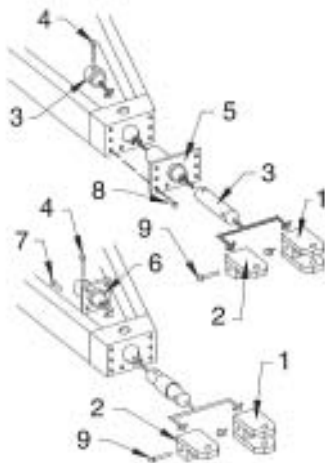
**HYDRAULIC CYLINDER ASSEMBLY
(To Raise and Lower the Upper Auger)**



#	Part #	Description
1	JD25024	2 1/2" x 24" Hyd. Cylinder
2	JD469	Seal Kit for 2 1/2" x 24" Hyd. Cylinder
3	ICR4	1" x 4" Pin with Hair Pin
4	38SE90	3/8" Street Elbow 90
5	5602-6-6	3/8" Street Tee
6	PC-37	Pilot Check Valve
7	BJW-114	Ball Joint Weldment with 1 1/4" Hex Nuts
8	HN-114	1 1/4" Hex Jam Nut
9	1404-062	Orifice Restrictor (.062)
10	HH-1421	1/4" x 21" Hydraulic Hose
11	HH-14160	1/4" x 160" Hydraulic Hose
12	HH-14144	1/4" x 144" Hydraulic Hose
13	RG-1	Rubber Grommet

BOLT ON HITCH ASSEMBLY

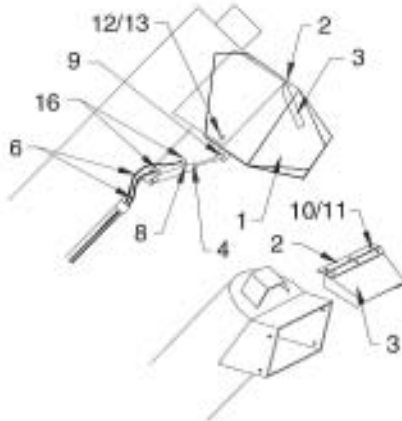
Cart equipped WITHOUT an Electronic Weigh System



#	Part #	Description
1	SHW-112N-25	Swivel Hitch Weldment (less pin and collar) clevis type (2 1/2" pin hole)
2	SHW-112SN-25	Swivel Hitch Weldment (less pin and collar) spade type (2 1/2" pin hole)
3	212PC	2 1/2" x 13 1/4" Shaft & Collar
4	1412BN	1" x 4 1/2" Gr 5 HHMB w/nut
5	HSPS-1	Hitch Spool Plate Support
6	WBW-1	Weigh Bar Weldment
7	343BWN	3/4" x 3" Bolt (Gr 8) with heavy lock washer and nut
8	343HB	3/4" x 3" Hex Bolt (Gr 8)
9	1512BN	1" x 5 1/2" Bolt (Gr 5) with nut

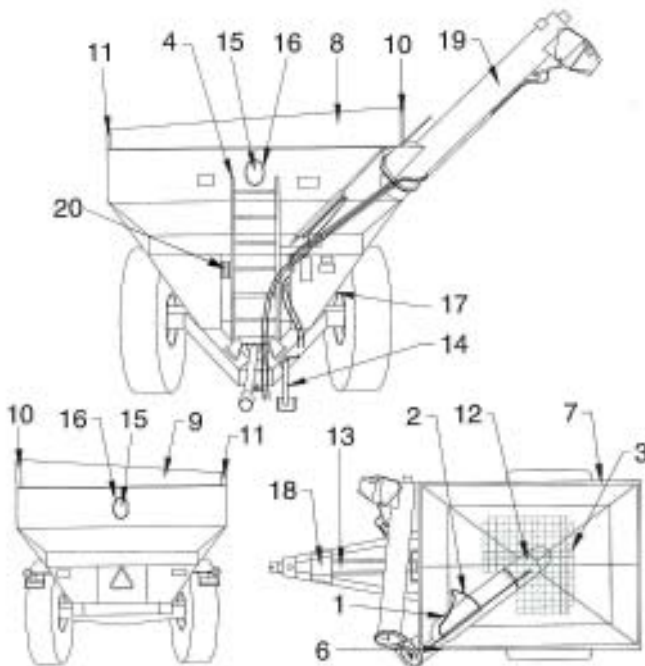
Cart equipped WITH an Electronic Weigh System

HYDRAULIC DRIVEN FLOW CONTROL SPOUT



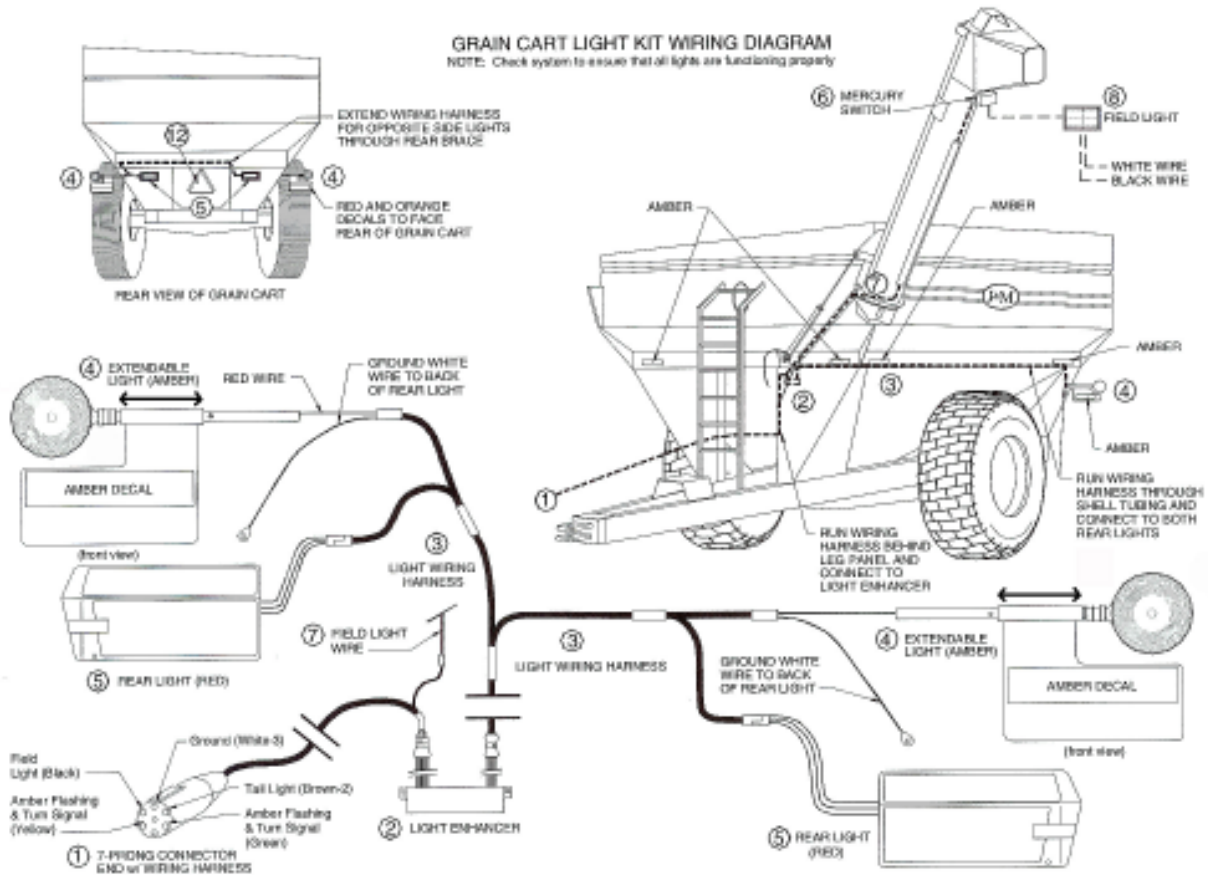
#	Part #	Description
1	FSH-16	Flow Control Spout Housing
2	HP-16	Hinge
3	BP-16	Baffle Plate
4	HC-FCS	Hydraulic Cylinder w/clevis end and 1/2"-20 regular nut
5	SKHC-FCS	Seal Kit for Hydraulic Cylinder
6	HH-1428	1/4" x 28' Hydraulic Hose
7	PQC-1	Pioneer Quick Coupler
8	SR-14	1/4" Swivel Restrictor
9	CP-12112	1/2" x 1 1/2" Clevis Pin w/cotter pin
10	1434-HHMB	1/4" x 3/4" Bolt
11	LN-14	1/4" Lock Nut
12	122-HHMB	1/2" x 2" Grade 5 Bolt
13	HN-12	1/2" Lock Nut
14	STS-1L	Self Tapping Screw (long)
15	RCH-1	Retaining Clip for Hose
16	14STEL	1/4" St. Elbow

GRAIN CART ASSEMBLY



#	Part #	Description
1	HH-1441	1/4" x 41" Hyd. Hose (3841)
2	HH-1429	1/4" x 29" Hyd. Hose (3829)
3	SG-875	Grate
4	LA-6S-F	Ladder Assembly (6 step)
5	TTE-875	Extension (set) (4 pcs)
6	TTE-875HS	Extension (High Side)
7	TTE-875LS	Extension (Low Side)
8	TTE-875TF	Extension (Front)
9	TTE-875TR	Extension (rear)
10	TTE-875HC	Extension High Corner
11	TTE-875LC	Extension Low Corner
12	AGC-875	Auger Gate Cover Assembly
13	GDS-114-F	Guard for Drive Shaft
14	TWL-200	Jack Stand Assy w/ 5/8" pin
15	PGW-71212	Plexiglass Window
16	62095-7	Window Molding
17	CODW-875	Clean-out Door & Wheel Assy
18	GPDS-114	Guard for PTO
19	UAH-16	Upper Auger Tube Assembly
20	HHB-1C	Hose Holder Bracket

GRAIN CART LIGHT KIT



#	Part #	Description
1	8WH-7PC	Main Wiring Harness with 7-Prong Connector End
2	LE-1B	Light Enhancer
3	WH-1	Wiring Harness (Rear Half)
4	EL-A1	Extendable Amber Light Assembly (Left/Right)
5	RL-R1L	Rear Red Light, Left
5	RL-R1R	Rear Red Light, Right
6	MS-1	Mercury Switch
7	FLW-1	Field Light Wire
8	FLDLT-1	Field Light
9	RD-1A	Reflective Amber Decal
10	RD-1R	Reflective Red Decal
11	RD-1O	Reflective Orange Decal
12	SMV-1	Slow Moving Vehicle Emblem
13	GR-1	Rubber Grommet
14	7-WCE	7-Prong Connector End
15	AL-1	Amber Light Only
16	RL-1A	Replacement Lens (Rd Amber)
16	RL-1LH	Replacement Lens (L/H Red Rectangular)
16	RL-1RH	Replacement Lens (R/H Red Rectangular)

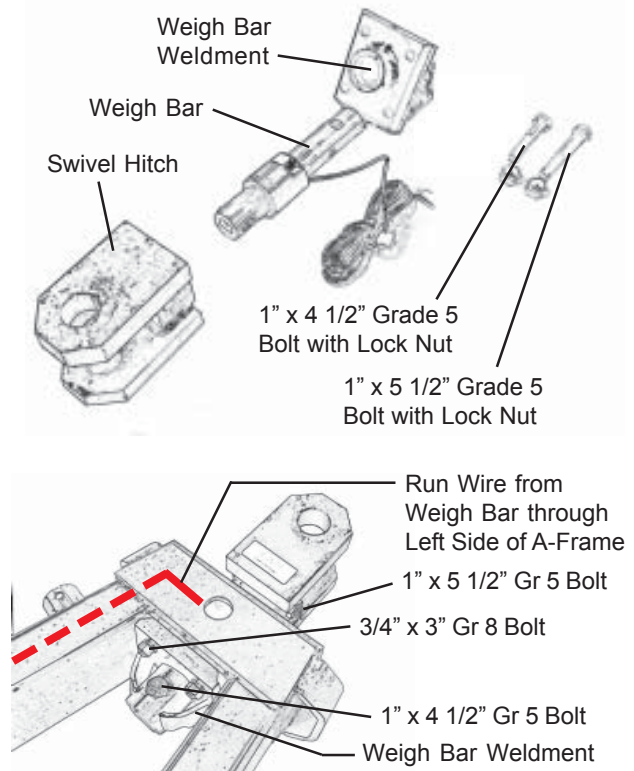
Installation of Scale Kit (Single Wheel Applications)

For Models 525-14W, 620-14, 750-14, 750-16, 750-18, 875-16 and 875-18

HITCH ASSEMBLY

1. Remove the 2 1/2" x 13 1/4" shaft from the swivel hitch by unbolting the 1" x 5 1/2" Grade 5 bolt and locknut that attaches the swivel hitch and the 1" x 4 1/2" Grade 5 bolt and locknut that attaches the rear collar.
2. Remove the eight 3/4" x 3" Grade 8 Bolts from the Hitch Spool Plate Support located on the front of the A-Frame.
3. Bolt the Weigh Bar Weldment to the threaded holes located on the rear of the A-Frame using four 3/4" x 3" Grade 8 bolts.
4. Reuse the 1" x 5 1/2" Grade 5 bolt and locknut to secure the Hitch Weigh Bar to the hitch.
5. Before installing the Hitch Weigh Bar, feed the wire through the left side of the A-Frame tubing and exit the frame through the hole located directly behind the front leg of the grain cart.
6. Slide the rear of the Hitch Weigh Bar through the Weigh Bar Weldment and secure using the 1" x 4 1/2" Grade 5 bolt and locknut. NOTE: Be sure the hitch weigh bar is secured in the UP position as indicated by the decal on the weigh bar.

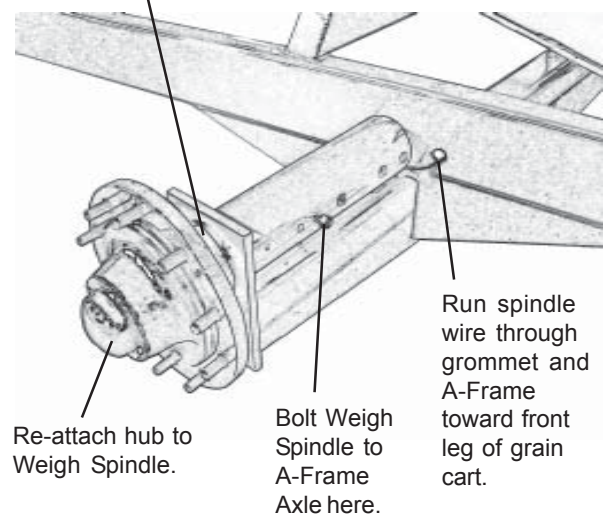
HITCH PARTS



SPINDLE ASSEMBLY

1. With the cart empty, place a 10-ton jack and jack stands under the axle, near the tire to support the weight of the grain cart.
2. Remove the wheel & tire and hub assembly from the spindle. Remove the 1" x 7" hex bolt and lock nut located on the stock end of the spindle. Slide the spindle out from the A-Frame of the grain cart.
3. Run the wire on the weigh spindle through the tubing of the A-Frame toward the front leg of the grain cart where the Scale Indicator will be mounted. Insert the Adapter Pipe Tubing and Weigh Spindle into the cross axle frame of the grain cart and secure using the 5/8" x 6 1/2" Grade 5 bolt and lock nut. Be sure the weigh spindle is secured with the "TOP" decal facing up.
4. Re-attach the hub to the weigh spindle. (Note: Depending on the model and year of grain cart, the seal in the hub may also need to be changed.)
5. Attach the tire and wheel assembly. Be sure to tighten the lug nuts to 380 Lbs.-Ft.
6. Repeat steps 1 through 5 for other side.

Be sure Weigh Spindle is positioned with the "TOP" facing upward.



Installation of Scale Kit (Single Wheel Application)

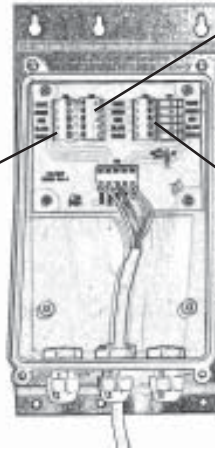
For Models 525-14W, 620-14, 750-14, 750-16, 750-18, 875-16 and 875-18

MOUNTING THE JUNCTION BOX (Digi-Star Scale Systems Only)

- Using the Junction Box as a template, mark and drill holes on the inside face of the front left side leg of the grain cart. The Junction Box should be positioned approximately 23" above the tubing of the A-Frame.
- After the holes have been drilled, secure the Junction Box to the inside of the front left leg of the grain cart using four #10 bolts and nuts.
- Remove the cover from the Junction Box. Insert the Hitch Weigh Bar wire through the center port and connect to the center terminal of the Junction Box by matching the colored wires. Repeat for the left and right side weigh spindle wires.
- Connect the J-Box cable between the center terminal and the indicator located on the front of the grain cart leg.
- Replace cover on Junction Box

Use Junction Box as a template to drill holes on inside face of front grain cart leg.

Run Wire from Left Weigh Spindle through left port and connect to left side terminal.



Run Wire from Hitch Weigh Bar through center port and connect to center terminal.

Run Wire from Right Weigh Spindle through right port and connect to right side terminal.

Connect the J-Box cable between the center terminal and the indicator located on the front of the grain cart leg.

Weigh-Tronix

Junction Box Wiring Diagram +Exc = Green -Exc = Black +Sig = White -Sig = Red Shield = Orange or Orange-White
--

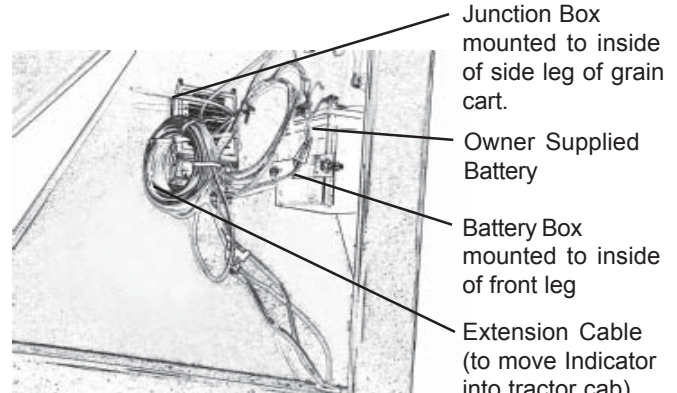
Digi-Star

Junction Box Wiring Diagram +Exc = Red -Exc = Black +Sig = White -Sig = Green Shield = Orange
--

MOUNTING THE BATTERY BOX

- Using the Battery Box as a template, mark and drill two 7/16" holes on the inside of the front leg approximately 16" above the A-Frame.
- Secure the Battery Box to the leg of the grain cart using two 3/8" x 1" flange bolt and nuts.

(12V Lawn and Garden Battery is not included)

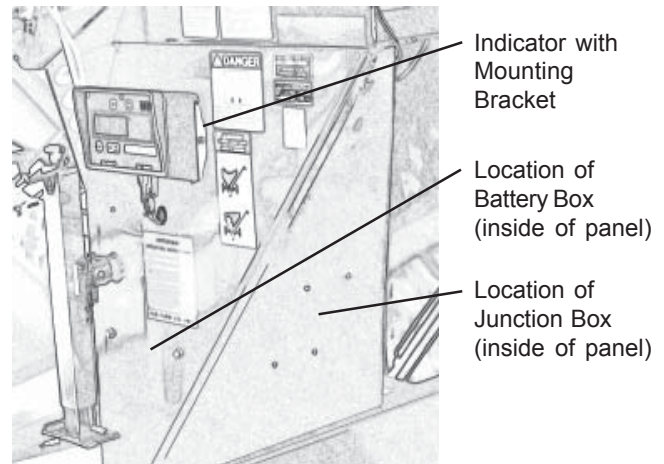


(Inside View of Front Leg)

MOUNTING THE INDICATOR

- A mounting bracket is included to mount the indicator to the front leg of the grain cart. Using the mounting bracket as a template, mark and drill 7/16" holes on the front leg of the grain cart approximately 33" above the A-Frame.
- Secure the mounting bracket to the front leg using two 3/8" x 1" flange bolts and nuts. Slide the Indicator across the top of the mounting bracket and secure using two #10 bolts and nuts.
- Connect the J-Box cable to the port on the bottom of the Indicator.

(Note: An extension cord between the J-Box cable and the Indicator is available to mount the Indicator in the tractor cab if desired.)



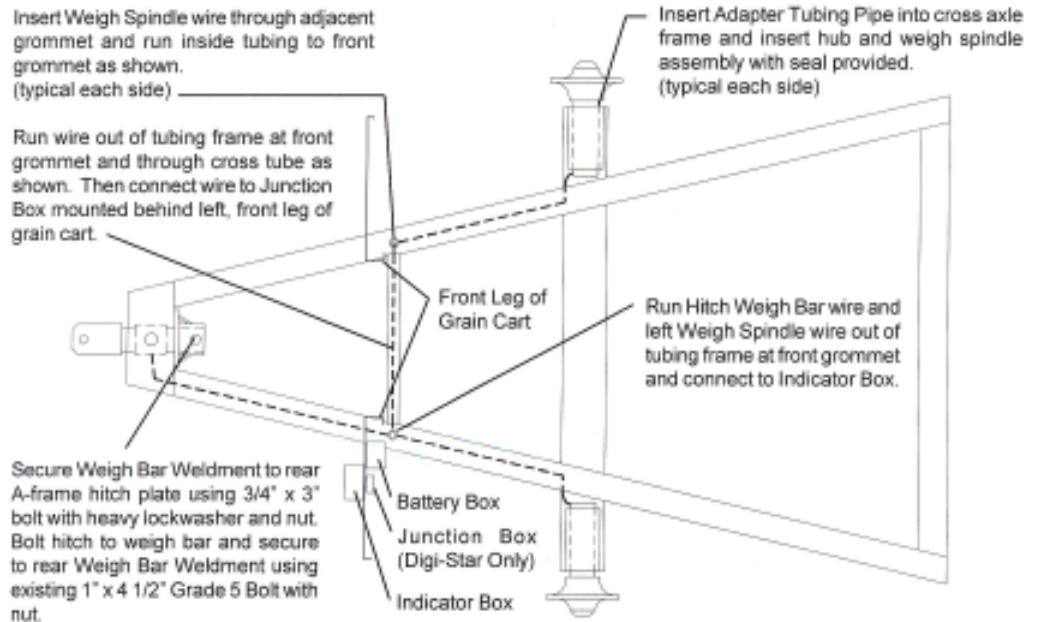
Installation of Scale Kit (Single Wheel Application)

For Models 525-14W, 620-14, 750-14, 750-16, 750-18, 875-16 and 875-18

CONNECTING THE POWER CORD

- To connect the Power Cord to the Indicator Box, attach screw plug end of the Power Cord into the power port of the Indicator Box. To connect to the battery, secure the Red Wire of the Power Cord to the Positive Terminal of the battery and the Black Wire to the Negative Terminal. Be sure any additional wires provided by the Power Cord are properly stored and secured.

LAYOUT DIAGRAM



PARTS LIST (Weigh-Tronix or Digi-Star Scale Systems)

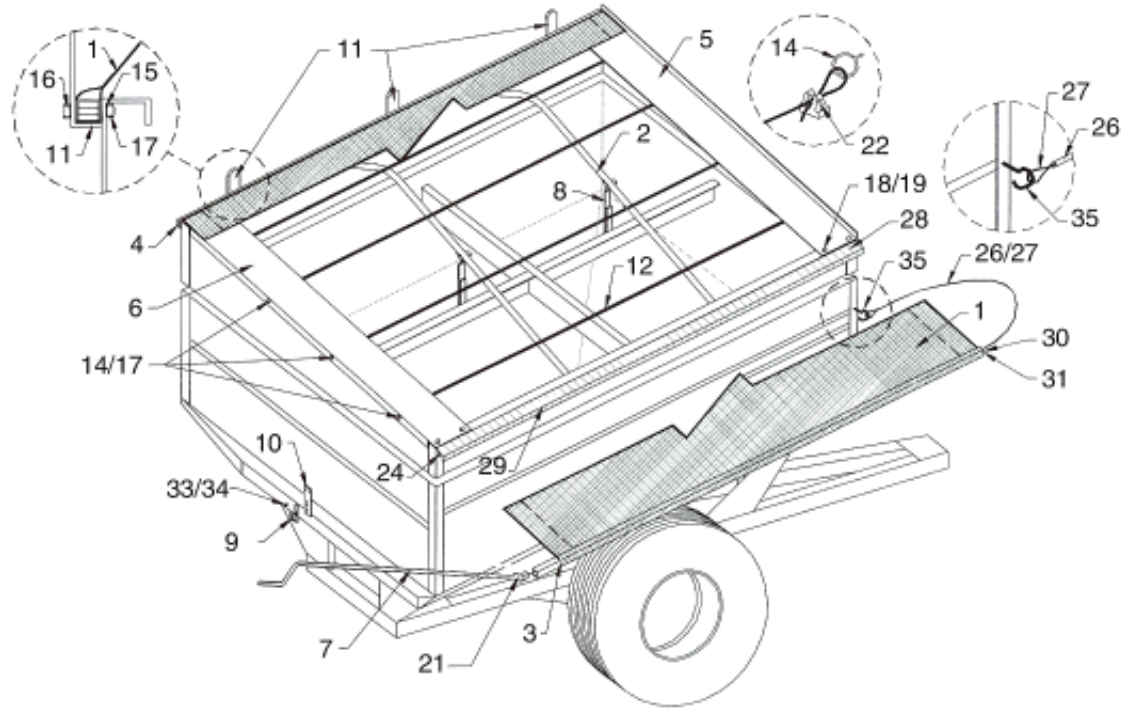
#	W/T Part #	D/S Part #	Description	W/T Qty	D/S Qty
1	375WTS	375WS	Rear Weigh Spindle w/ Cable	2	2
2	25WB	250WB	Front Hitch Weigh Bar w/ cable	1	1
3	615	EZ-400	Indicator Box w/mounting plate	1	1
	915	-----	Indicator Box w/mounting plate	1	0
4	-----	JB-1	Junction Box	0	1
5	PC-2	PC-1	Power Cord (to battery)	1	1
6	-----	ECI-1	Extension Cord (to mount in tractor cab)	0	1
7	37605SA	37605SA	Seal (Hub)	2*	2
8	ATP-375	ATP-375	Adapter Tubing Pipe	2*	2
9	MBI-2	MBI-1	Mounting Bracket for Indicator	1	1
10	WBW-1	WBW-1	Weigh Bar Weldment	1	1
11	BB-2	BB-2	Battery Box with strap	1	1
12	343-BWN	343-BWN	3/4" x 3" Bolt (G8) w/ hvy lock washer, nut	4	4
13	MB-58612	MB-58612	5/8" x 6 1/2" Bolt (G5) with nut	2	2
14	MB-381	MB-381	3/8" x 1" Bolt with nut	4	6
15	-----	PB-10	#10 Pan Bolt with nut	0	4
16	MB-1434	-----	1/4" x 3/4" Bolt with nut	4	0

NOTE:
When inserting both the weigh spindles or the hitch weigh bar, be sure that the TOP of the spindle is in the upright position as indicated by the decal on each weigh bar.

Failure to correctly align the weigh bar and spindles in the upright position will cause the scale system to read with greater inaccuracy.



Grain Cart Roll Tarp Parts List and Set Up Instructions



PARTS LIST

#	Part #	Description	Qty	#	Part #	Description	Qty
1	525CT	Tarp w/ Rivets (525)	1	5	119FP	Front End Panel (525)	1
1	620T	Tarp w/ Rivets (620)	1	5	14012FP	Front End Panel (620, 750, 875, 1000 thru 1326)	1
1	750CT	Tarp w/ Rivets (750)	1	5	137FP	Front End Panel (1075)	1
1	875T	Tarp w/ Rivets (875)	1	6	119RP	Rear End Panel (525)	1
1	1050T	Tarp w/ Rivets (1000 thru 1151)	1	6	14012RP	Rear End Panel (620, 750, 875, 1000 thru 1326)	1
1	1075T-1822	Tarp w/ Rivets (1075)	1	6	137RP	Rear End Panel (1075)	1
1	1325T	Tarp w/Rivets (1325, 1326)	1	7	CUJ-1N	Crank with Splined U-Joint (525)	1
2	116TB	Bows for Tarp (525)	2	7	CUJ-1LN	Crank with Splined U-Joint (620, 750, 875) L	1
2	137TB	Bows for Tarp (620)	2	7	CUJ-1EL	Crank with Splined U-Joint (1000 thru 1326) X-L	1
		Bows for Tarp (750, 875)	3	8	ABS-2	Adjustable Bow Supports (525)	2
		Bows for Tarp (1000 thru 1151)	5			Adjustable Bow Supports (750, 875)	3
		Bows for Tarp (1325, 1326)	6	8	ABS-2L	Adj. Bow Supports (620) L	2
2	134TB	Bows for Tarp (1075)	4			Adj. Bow Supports (1075) L	4
3	150RT	1 1/4" Square Roll Tube (525)	1			Adj. Bow Supports (1000 thru 1151) R	5
3	164RT	1 1/4" Square Roll Tube (620)	1	8	ABS-2XL	Adj. Bow Supports (1325, 1326) XL	6
3	174RT	1 1/4" Square Roll Tube (750)	1	9	CH-1N	Crank Holder	1
3	198RT	1 1/4" Square Roll Tube (875)	1	10	ABCH-1	Adj. Bar for Crank Holder (525)	1
3	230RT	1 1/4" Square Roll Tube (1075)	1	10	ABCH-1L	Adj. Bar for Crank Holder (620, 750, 875)	1
3	1050RT	1 1/4" Square Roll Tube (1000 thru 1151) 270"L	1	10	ABCH-1EL	Adj. Bar for Crank Holder (1000 thru 1326)	1
3	1325RT	1 1/4" Square Roll Tube (1325, 1326)	1				
4	144TT	1" Square Tiedown Tube (525)	1				
4	158TT	1" Square Tiedown Tube (620)	1				
4	168TT	1" Square Tiedown Tube (750)	1				
4	192TT	1" Square Tiedown Tube (875)	1				
4	224TT	1" Square Tiedown Tube (1075)	1				
4	1050TT	1" Square Tiedown Tube (1000 thru 1151) - 264"L	1				
4	1325TT	1" Square Tiedown Tube (1325, 1326) - 312"L	1				

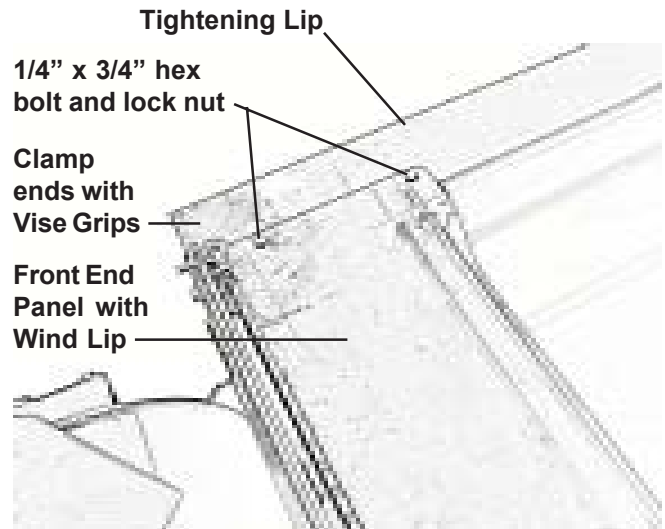
#	Part #	Description	Qty	#	Part #	Description	Qty
11	TSB-1	Tarp Stop Bracket (525 thru 875, 1075)	3	27	BC-156	3/8" Bungee Cord x 169" (525)	1
		Tarp Stop Bracket (1000 thru 1326)	3	27	BC-180	3/8" Bungee Cord x 188" (620)	1
12	316C-150	3/16" Cable (525)	4	27	BC-194	3/8" Bungee Cord x 194" (750)	1
12	316C-164	3/16" Cable (620)	4	27	BC-208	3/8" Bungee Cord x 208" (875 thru 1326)	1
12	316C-174	3/16" Cable (750)	4	28	TL-144	Tightening Lip x 144" (525)	1
12	316C-198	3/16" Cable (875)	4	28	TL-158	Tightening Lip x 158" (620)	1
12	316C-1050	3/16" Cable (1000 thru 1151) - 270"L	4	28	TL-168	Tightening Lip x 168" (750)	1
12	316C-240	3/16" Cable (1075)	4	28	TL-192	Tightening Lip x 192" (875)	1
12	316C-1325	3/16" Cable (1325, 1326)	4	28	TL-264	Tightening Lip x 264" (1000 thru 1151) (2 pcs L/R)	1
13	381-HB	3/8" x 1" Hex Bolt (525, 620)	10	28	TL-1325	Tightening Lip (1325, 1326)	1
		3/8" x 1" Hex Bolt (750, 875)	14	30	SPG-1	Square Plastic Grommet	1
		3/8" x 1" Hex Bolt (1075)	18	31	14STS	1/4" Self Tapping Screw	1
		3/8" x 1" Hex Bolt (1000 thru 1326)	22	32	BCC-1	Bungee Cord Clip	5
14	384JB	3/8" J-Bolt	8	33	12114HB	1/2" x 1 1/4" Hex Bolt	1
15	-----	-----	---	34	12LN	1/2" Lock Nut	1
16	382-HB	3/8" x 2" Hex Bolt (525-875)	4	35	516EB	5/16" Eyebolt with Nut	1
		3/8" x 2" Hex Bolt (1000 thru 1326)	5				
17	HLN-38	3/8" Hex Lock Nut (525, 620)	22				
		3/8" Hex Lock Nut (750, 875)	26				
		3/8" Hex Lock Nut (1075)	30				
		3/8" Hex Lock Nut (1000 thru 1326)	34				
18	1434-HHMB	1/4" x 3/4" Hex Bolt (525, 620)	16				
		1/4" x 3/4" Hex Bolt (750, 875)	20				
		1/4" x 3/4" Hex Bolt (1075)	24				
		1/4" x 3/4" Hex Bolt (1000 thru 1326)	28				
19	HLN-14	1/4" Hex Lock Nut (525, 620)	17				
		1/4" Hex Lock Nut (750, 875)	21				
		1/4" Hex Lock Nut (1075)	25				
		1/4" Hex Lock Nut (1000 thru 1326)	29				
21	14212-HB	1/4" x 2 1/2" Hex Bolt	1				
22	316CC	3/16" Cable Clamp	8				
24	381-SB	3/8" x 1" Stove Bolt (525, 750, 875)	2				
		3/8" x 1" Stove Bolt (620)	6				
		3/8" x 1" Stove Bolt (1075, 1000 thru 1326)	4				
25	PT-129	1/2" Plastic Tube x 141" (525)	1				
25	PT-150	1/2" Plastic Tube x 160" (620)	1				
25	PT-166	1/2" Plastic Tube x 166" (750)	1				
25	PT-180	1/2" Plastic Tube x 180" (875 thru 1326)	1				

Roll Tarps for Grain Carts SET-UP INSTRUCTIONS

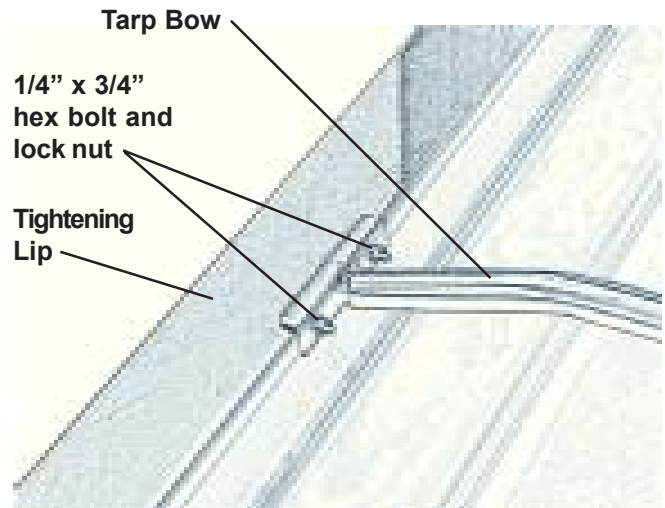
Installing the Tightening Lip, Bows and End Panels

- 1** Place Tightening Lip on top of low side of grain tank and clamp ends with a vise grips. (NOTE: Grain Cart models 750-18, 1075-18 and 1075-22 have the Tightening Lips built into the grain cart extension. For these model carts, this step can be ignored.)

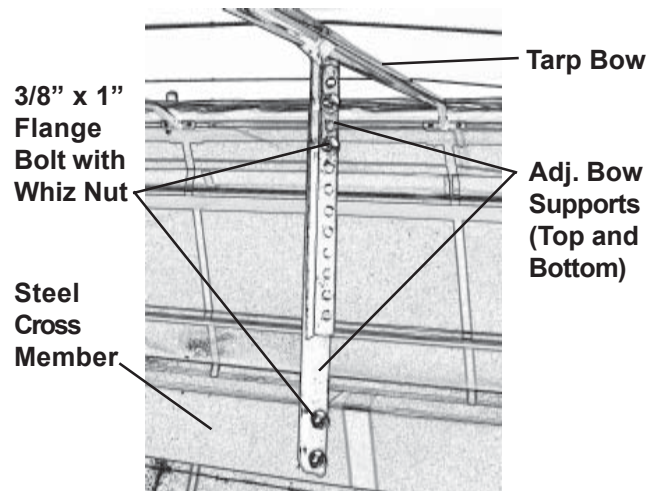
Position the Front End Panel (with wind lip) over the front end of the tapered top extensions of the grain cart. Align and drill 1/4" holes through the top two pre-drilled holes on each end of the front panel and attach using 1/4" x 3/4" hex bolts and 1/4" lock nuts. Repeat to mount the Rear End Panel to the rear rear tapered top extension of the grain cart.



- 2** Place the Bows between the sides of the grain cart tank. Align the pre-punched holes in the Bows with the pre-punched holes in the Tightening Lip and side extension. Attach the Bows using 1/4" x 3/4" hex bolts and 1/4" hex lock nuts. **NOTE: The high side of the bow should be on the left side of the grain cart.**



- 3** Position the Bow Supports under the Bows. Attach the Bow Supports to the steel cross members of the grain cart by drilling a 3/8" holes in the cross member and securing with 3/8" x 1" bolt and 3/8" lock nut. Adjust the height of the Bow Support so the top of the support cradles the Bow. Secure the top and bottom of the Bow Supports using a 3/8" x 1" bolt and 3/8" lock nut.

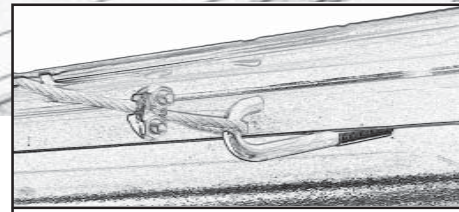
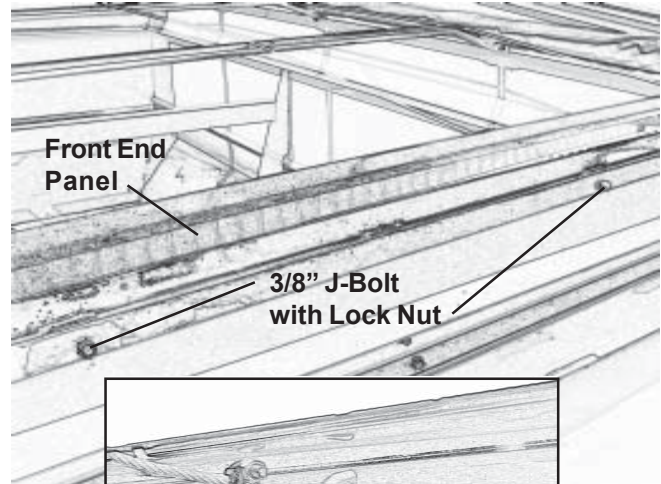


Roll Tarps for Grain Carts SET-UP INSTRUCTIONS (Continued)

Mounting the Center Cable Supports

- 4** Locate the pre-punched holes in the End Panels and drill $\frac{3}{8}$ " holes through the grain tank extensions. Attach one $\frac{3}{8}$ " J-Bolt to the inside of the End Panel using one $\frac{3}{8}$ " hex lock nuts.

Lay the cables over the Tarp Bows. Thread the cable end through the small hole on the edge of the End Panel and attach the cable to the J-Bolt using one $\frac{3}{16}$ " cable clamp. Adjust the tension on the cable so the tarp will not sag.



View Inside Tank showing J-Bolt, Cable and Cable Clamp

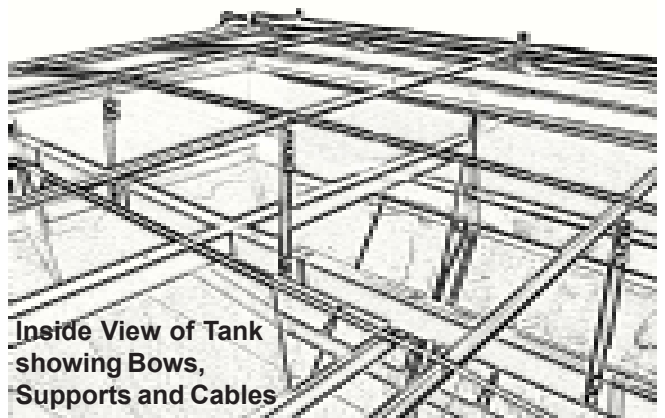
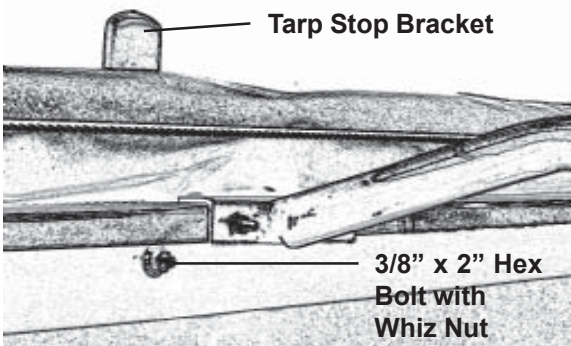
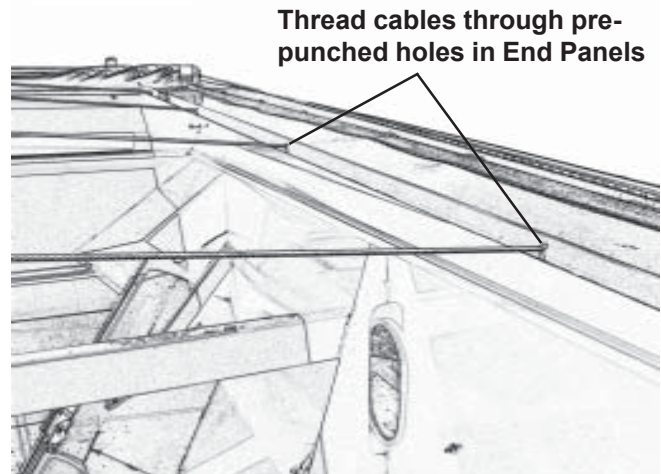
Mounting the Tarp

- 5** Lay the tarp out flat (dull side up). Insert the 1" Square Tie-Down Tube into the 3" end loop of the tarp until the Tie-Down Tube is extended two inches beyond the edge of the tarp.

Insert the 1 $\frac{1}{4}$ " Square Roll Tube into the 3 $\frac{1}{2}$ " end loop of the tarp. The Roll Tube should be extended $\frac{1}{2}$ " from the edge of the front of the tarp and extend 8" past the rear of the tarp.

Place the tarp with the tubes onto the grain cart and align. The 1" Square Tie-Down Tube should be located on the high side of the grain cart tapered top extensions and the 1 $\frac{1}{4}$ " Square Roll Tube should be located on the low side of the grain cart tapered top extensions.

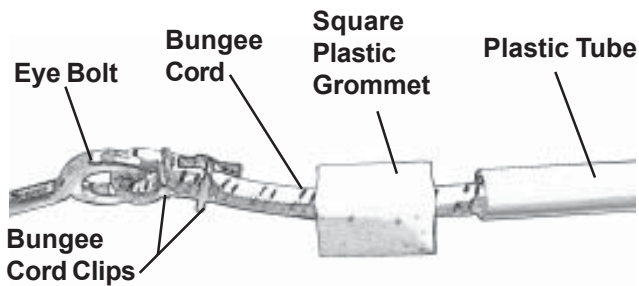
Two Tarp Stop Brackets should be placed approximately 24" in from the end of the tarp. Drill a $\frac{3}{8}$ " hole through the tarp, 1" Square Tie-Down Tube and the grain cart high tapered top extension. Bolt the Tarp Stop Bracket, 1" Square Tie-Down Tube and Roll Tarp to the high side extension using one $\frac{3}{8}$ " x 2" hex bolts, one $\frac{3}{8}$ " flat washers and one $\frac{3}{8}$ " lock nut. Center a third Tarp Stop Bracket between the two end tarp stops and secure in the same procedure.



Roll Tarps for Grain Carts SET-UP INSTRUCTIONS (Continued)

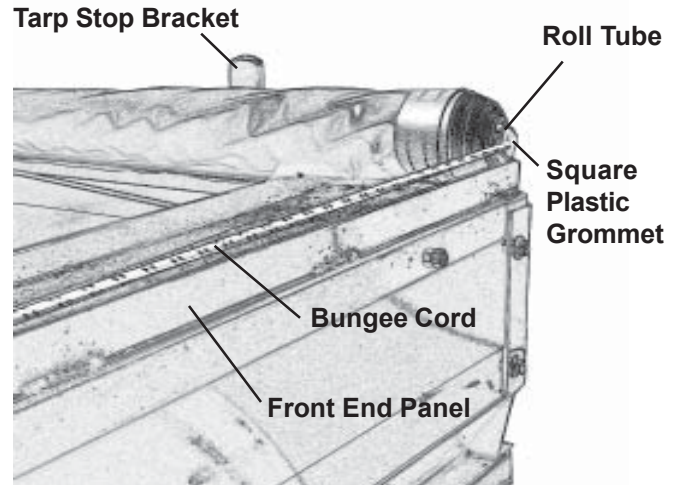
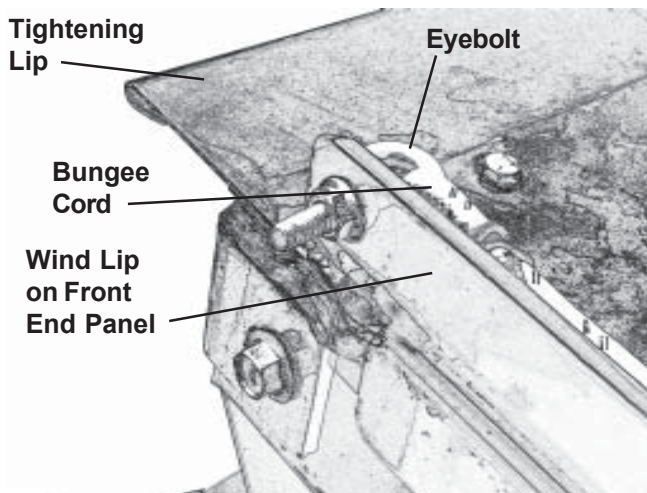
Attaching the Rivets

- 6** After the tarp is in place, drill 1/4" holes through the tarp and the outside wall of the Roll Tube at each seam and in the front and rear hems. Keep the holes 1" to 1 1/2" from the end of the tarp to allow space for the Square Plastic Grommet. Drive the 1/4" rivets into the roll tube until it is flush with the cap.



Attaching the Bungee Cord

- 7** Roll the tarp into the covered position. Slide the Bungee Cord through the 1/2" Plastic Tube. Fold and clamp the end of Bungee Cord so the cord cannot slip through the plastic tube. Slide the Plastic Tube (clamped end first) into the 1 1/4" Roll Tube end that is 1/2" from the end of the tarp. Slip the Square Plastic Grommet with the chamfer end facing out onto the Bungee Cord and drive the plastic grommet into the 1 1/4" Roll Tube. Secure the Square Plastic Grommet to the 1 1/4" Square Roll Tube by drilling a 1/4" self-tapping screw through the Roll Tube and into the Square Plastic Grommet. Attach the 5/16" Eyebolt into the wind lip on the tightening lip side. NOTE: If a hole is not pre-punched into the wind lip, drill a 5/16" hole in the vertical wind lip of the Front End Cap approximately 1" from the end.



Mounting the Crank

- 8** Attach the Crank to the Universal Joint using 1/4" x 2 1/2" hex bolt and 1/4" lock nut. Attach the Universal Joint to the 1 1/4" Roll Tube using one 3/8" x 2" bolt and 3/8" lock nut. Drill 3/8" holes into the center of the grain cart tank rear end and attach the Crank Holder Adjustable Bar using 3/8" x 1" hex bolts and 3/8" lock nuts. Attach the Crank Holder to the Adjustable Bar using 1/2" x 1 1/4" hex bolts and lock nuts. Tighten the bolt but allow the Crank Holder to swing free on the adjustable bar.

