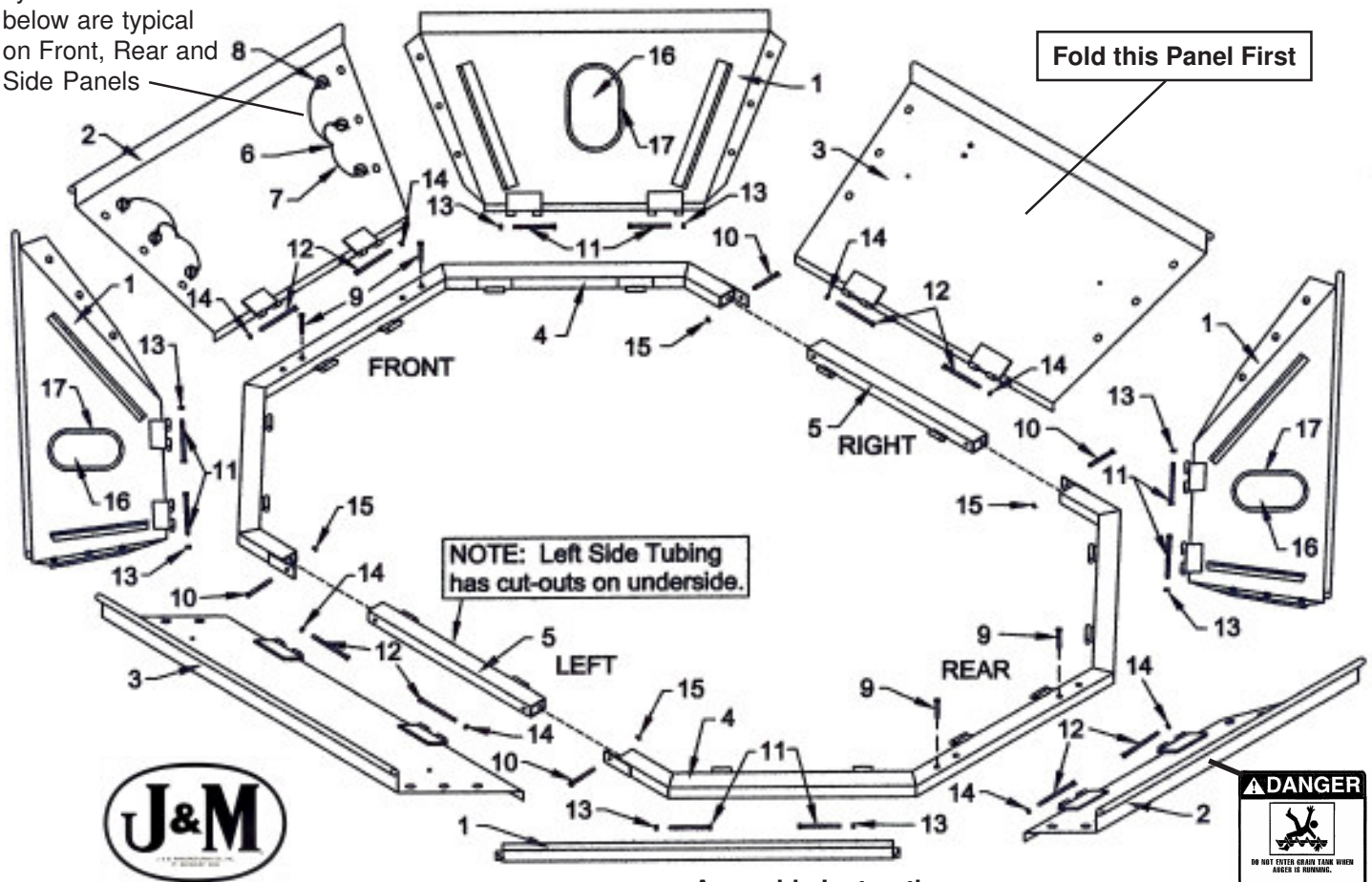


Combine Grain Tank Set-Up Instructions

for Case AFX 8010 Series Combines

Lanyards and Lynch Pins shown below are typical on Front, Rear and Side Panels



Assembly Instructions

Step One:

Remove 5/16" bolts in the combine cab that may interfere with the placement of the grain tank framing members.

Place frame halves on combine hopper. Loosely fasten frame halves combine hopper using one of the following options:

Option One: If combine has hex nuts welded to the top of the combine at the front and rear frame members, simply align the welded hex nuts with two of the cut-outs in the front and rear frame and secure to the top of the combine using four 8.8 x 2 1/4" hex bolt and heavy washer.

Option Two: If combine does not have hex nuts welded to the top of the combine at the front and rear frame members, align the front and rear frame members with the adjacent holes in the top of the combine and secure using eight 3/8" x 2 1/2" Bolts and 3/8" Flange Nuts.

Step Two:

Fasten Tubing Rails (Note: Left side tubing rail has cut-outs on the underside of the tube) to frame halves using four 3/8" x 4" bolts with 3/8" lock nuts. Using self tapping screws, secure the tubing rails (through the hinge hole) to the top of the combine to prevent frame from lifting when panels are folded.

Step Three:

Attach the corner panels to the hinges on the front and rear frames as shown using eight 3/8" x 4 1/2" Bolts and 3/8" Lock Nuts.

#	Part #	Description	Qty
1	CIH-CP8010	Corner Panel	4
2	CIH-FRP8010	Front/Rear Panel	2
3	CIH-LRP8010	Left/Right Panel	2
4	CIH-FRF8010	Front/Rear Frame	2
5	CIH-TR8010L	Tubing Rail (left w/cut-out)	1
5	CIH-TR8010R	Tubing Rail (right)	1
6	CTE-PP	Plastic Plug	8
7	CTE-PL	Plastic Lanyard	24
8	CTE-LP	Lynch Pin	24
9	HB-38212	8.8 x 2 1/4" Hex Bolt w/Heavy Washer and Nut (opt.)	4
9	HBN-38212	3/8" x 2 1/2" Bolt w/ Flange Nut	4
10	HB-384	3/8" x 4" Bolt	8
11	HB-38412	3/8" x 4 1/2" Bolt	8
12	6MM-475	6MM Bolt x 4 3/4" (8.8)	8
13	LN-38	3/8" Lock Nut	8
14	6MM-NLN	6MM Nylon Lock Nut	8
15	FN-38	3/8" Flange Nut	10
16	IW-71212	Inspection Window	4
17	62095-7	Window Molding	4
18	PCS-316100	Panel Chain Support	1
19	FB-381	3/8" x 1 Flange Bolt	2
20	CTE-SS1	Step	1
21	34STS	Self Tapping Screw	8
22	CIH-HR8010	Handrail	1

Combine Grain Tank Set-Up Instructions (Continued)

for Case AFX 8010 Series Combines

Assembly Instructions (Continued)

Step Four:

Attach the front and side panels to the frame assembly as shown using eight 1/4" x 4 1/2" bolts and 1/4" lock nuts. (Note: The panel with the Danger Sticker should be installed as the rear panel.)

Step Five:

Push plastic plugs through plastic retainer lanyards and into existing holes from inside extension. Fold end of lanyard around lynch pin ring and snap into place.

Step Six:

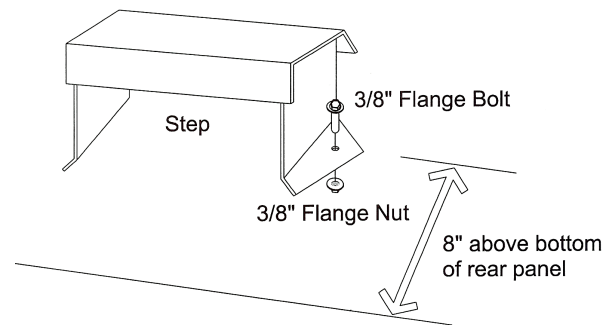
Secure panels together by inserting and locking the lynch pin into the adjacent tab weldment.

Step Seven:

On the grain tank extension rear panel, position the step approximately 8" from the lower side of the panel and directly above the step in the combine tank. Using the step as a template, mark and drill two 13/32" holes in the rear panel. Attach the step using two 3/8" x 1" flange bolts and 3/8" flange nuts. Note: Be sure the step is positioned and mounted as shown.

Step Eight:

Install 3/16" x 100" Panel Support Chain from front to rear in combine tank using bolts and nuts located in tank.



Folding the Panels

Step One:

Fold the side panels toward the middle of the combine hopper.

Step Two:

Fold the front and rear panels inward.

Step Three:

Fold the four corner panels.



J. & M. Mfg. Co., Inc.

P.O. Box 547 Ft. Recovery, OH 45846

Ph: (419) 375-2376 Fax: (419) 375-2708

www.jm-inc.com

WARNING:

Use of this product is at the owner's discretion. Increasing grain capacity may adversely affect center of gravity, stability, and controllability. Exceeding maximum combine weight loadings can risk structural integrity and drive line components. J. & M. Mfg. Co., Inc. does not assume any liabilities, or make any warranties regarding the performance or structure of the combine. See combine owner's/operator's manual for specific limitations, operating recommendations, and safety information.