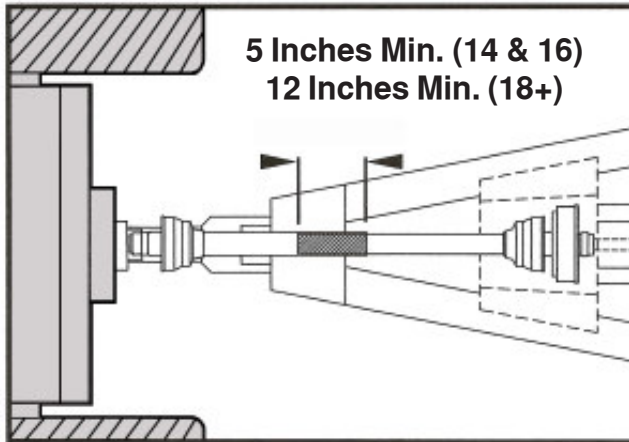




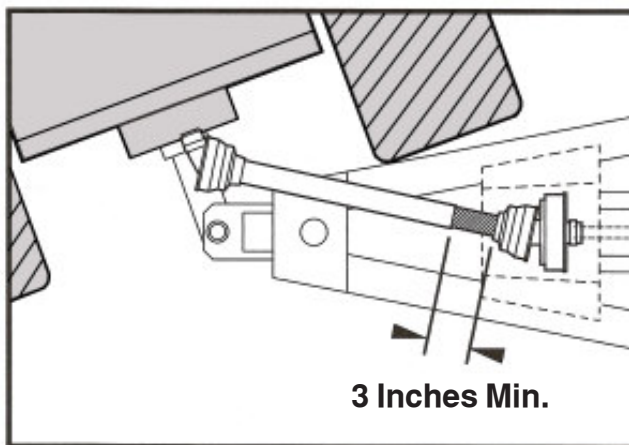
WARNING

SERIOUS INJURY OR DEATH CAN OCCUR FROM INSUFFICIENT PTO OVERLAP



Connect the PTO shaft to the tractor. Measure the PTO overlap length. To prevent uncoupling, make sure there is at least 5 inches of PTO overlap for 14 and 16 inch diameter augers or 12 inches of PTO overlap for augers 18 inches and larger.

AN EXCESSIVE COLLAPSED LENGTH CAN RESULT IN DAMAGE TO PTO DRIVELINE



Position the tractor and grain cart to obtain the tightest turning radius. Connect the PTO to the tractor. Be sure the PTO is extended at least 3 inches.

If necessary, adjust the drawbar length or cut the inner and outer plastic guard tubes and inner and outer sliding profiles of the PTO by the same length. Round off all sharp edges and remove burrs before greasing and reassembling shaft halves.