



## J. & M. MFG. Co., Inc.

284 Railroad Street P.O. Box 547  
FORT RECOVERY, OHIO 45846

---

Phone (419) 375-2376

### **Electric Solenoid Switch Kit**

- 1 Solenoid with Fittings, bolts
- 1 Cable with Hand Switch
- 1 Battery Box with Strap and Bolts (battery not included)
- 4 Large Plastic Ties – 20"
- 4 Small Plastic Ties – 4"
- 1 Hanger Strap with Eyebolt and Nuts

Attach solenoid to side of front leg assembly using two 1/4" x 2" bolts and nuts per Figure 2 or Figure 3 (holes will have to be drilled in side of leg assembly). Attach battery box to inside of front leg per Figures 2 and 3 (Use metal scrap as a template to mark and drill 13/32" holes). Place 12 Volt lawn and garden battery in battery box and secure with strap.

Position hand switch and coiled cable to the top end of the auger. Thread straight end of cable through the 12" steel sleeve (under bolts), through the manual control rod conduit and under the winch assembly. Wire to solenoid and battery (Figure 1). Secure the electric cable to the 6" auger tube using the 20" plastic ties. Secure the electric cable to the 1/2" hydraulic hoses using the 4" plastic ties. Attach hanger strap with eyebolt to auger tube with open end of eyebolt up. Both the 3-stage telescoping spout and hand switch can be stowed in this hanger. To secure the cable for travel, wrap the cable around the auger tube and secure.

Note: The On-Off handle on auger will need to be in the "On" position. Remove the clamp on the top of the handle tension spring. Pull the handle up and leave in the "On" position. Reattach the clamp to the handle above the support tab to lock in the "On" position. "On" and "Off" can now be controlled from the Electric Solenoid Switch.



# J. & M. MFG. Co., Inc.

284 Railroad Street P.O. Box 547  
FORT RECOVERY, OHIO 45846

Phone (419) 375-2376

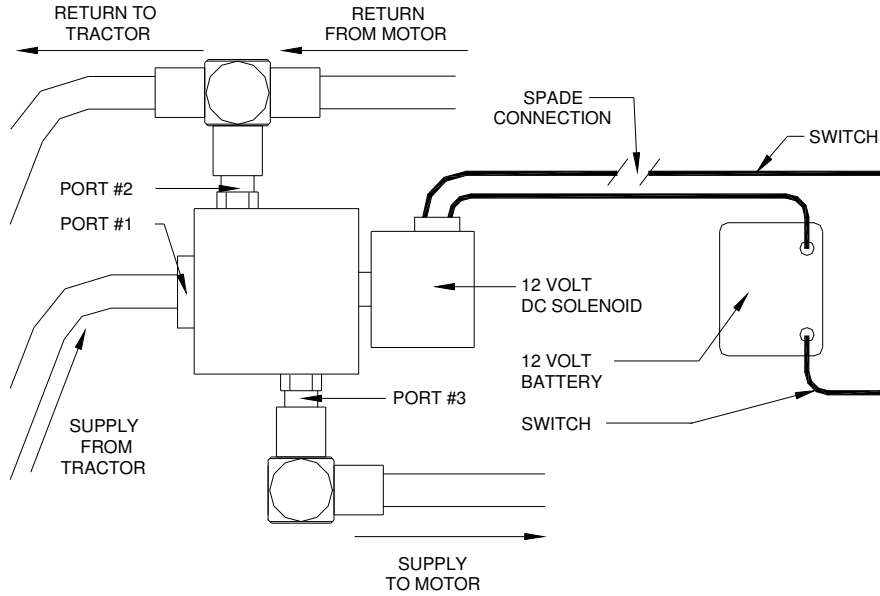
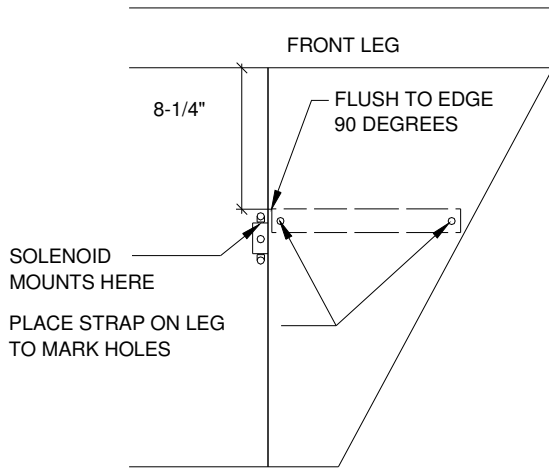


FIGURE 1

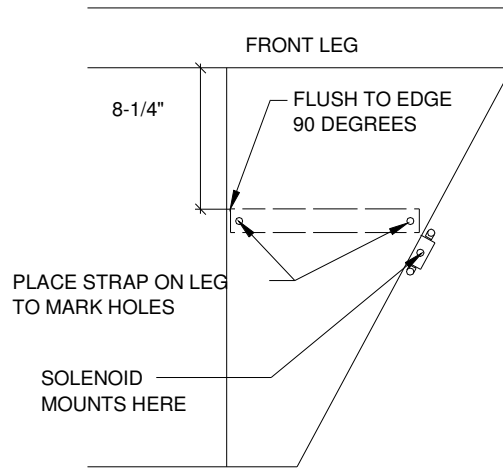
NOTE:  
MOUNT BATTERY BEHIND FRONT LEG

NOTE:  
MOUNT BATTERY BEHIND FRONT LEG



BATTERY BRACKET FOR MODEL  
385-24 GRAVITY BOX

FIGURE 2



BATTERY BRACKET FOR MODEL  
525-24 GRAVITY BOX

FIGURE 3